

LENZ LOW PRESSURE INDUSTRIAL • REUSABLE HOSE FITTINGS



REUSABLE LOW-PRESSURE HOSE FITTINGS



OXYGEN & ACETYLENE FITTINGS

PAINT SPRAY FITTINGS



"PUSH-ON" FITTINGS



HOSE FITTING ADAPTERS



UNION SWIVEL ADAPTERS



LOW PRESSURE "PUSH-ON" HOSE ASSEMBLIES



PIPE FITTINGS CONNECTORS NIPPLES & BUSHINGS

JOINERS



LOW PRESSURE HOSE ASSEMBLIES



HOSE STEMS



INDIVIDUAL FITTINGS & ADAPTERS ALL TYPES
 ■
 ASSEMBLIES
 ■
 1 & 2 RAYON BRAID RUBBER COVERED HOSE
 ■
 SINGLE FABRIC BRAID RUBBER OR COTTON COVERED HOSE
 ■
 ACCESSORIES

CATALOG OF SIZES & SPECIFICATIONS

LENZ
COMPANY

P.O. Box 1044
DAYTON • OHIO
PHONE:
937/277-9364
FAX:
937/277-6516

Specify and Depend on Lenz
 ...There's A Valuable Difference



LENZ Company

Our Mailing Address:

P.O. Box 1044 • Dayton, Ohio 45401

Our Plant Address:

3301 Klepinger Road • Dayton, Ohio 45406

PHONE: 937/277-9364

FAX: 937/277-6516

The LENZ Company was founded as, and continues as, an exclusive manufacturer of Hose Fittings, Tube Fittings, Pipe Fittings and allied fitting products. As a result, The Lenz Company has gained industry-wide recognition as a leader and specialist in the design, engineering and manufacture of a full and comprehensive line of fittings of all types. A modern, expanding plant, continuous research, development and modern methods have established and maintained this leadership.

A Full Line Manufacturing Specialist In Industrial Hydraulic & Allied Hydraulic Products and Accessories, Write For Free Lenz Catalogs On: High & Medium Pressure Hose Fittings (HP-401); "O-Ring Seal" and Flare Tube Fittings & Pipe Fittings (127R-A); Hydraulic Reservoir Accessories (TA81); Glycerin-Filled and Standard Pressure Gauges (PG-111); Hydraulic Strainers & Filters (SF-11A)



HP-401



CAT. 127R-A



TA-81



PG-111



SF-11A

HOW TO ORDER

Detailed and cut-away illustrations of all Lenz parts are clearly shown with part numbers and complete specifications for your convenience in ordering.

HOSE ASSEMBLIES - When giving a hose assembly part number, add the desired overall assembly length in inches to complete the part number. Example: To part number CL-4-44 add the overall assembly length (O.A.) . . . CL-4-44-18" for a 1/2" Male Pipe to 1/2" Union Female Pipe, 1/2" 2 BSR Hose and O.A. length of 18". To order "Push-On" assemblies see page 21.

If hose ends have pipe threads of different sizes such as 1/4" Male Pipe one end and 3/8" Male Pipe on the other end of 1/4" 2BSR Hose, the assembly number would be AL2-32-O.A.

On hose assemblies with Union on one end, indicate which pipe size is to be union by spelling out.

HOSE LENGTHS - Order bulk hose in feet. Specify random or cut lengths. 1 and 2 BSR Hose are available up to 50 ft. lengths, 1 1/2 FTR Multi-Purpose Hose up to 250 ft. lengths.

HOW TO ASSEMBLE LENZ LOW PRESSURE HOSE FITTINGS



1. Place Ferrule Over Hose End and oil inside of hose.



2. Oil stem thread and place stem in Ferrule



3. Screw Stem Down



4. Completely Assembled

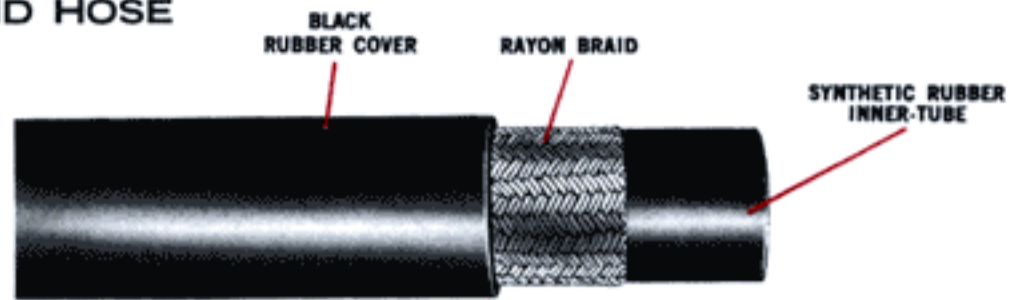
LENZ INDUSTRIAL LOW PRESSURE HOSE

LENZ
HOSE
FITTINGS

INDUSTRIAL
LOW PRESSURE
RAYON BRAID HOSE
1 & 2 RAYON BR
RUBBER COVER

TYPE 1BSR • 1 RAYON BRAID HOSE

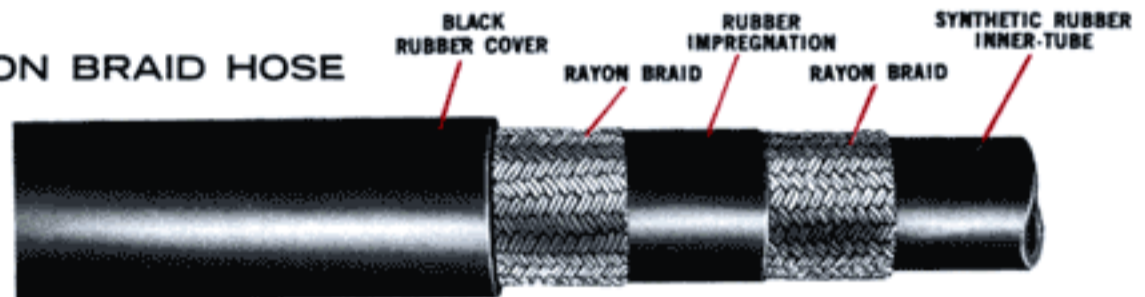
Lenz Type 1BSR, industrial low pressure hydraulic 1 Rayon Braid hose is a quality product of synthetic rubber tube and cover, compounded for resistance to oil, heat and cold. The cut-away view shows the construction and reinforcement provided by a layer of uniformly braided tough rayon cord that also adds greater flexibility under working conditions. Recommended working temperatures are -40° F. to $+200^{\circ}$ F. Type 1BSR meets S.A.E. 100R6 specifications.



PART NO.	HOSE I.D.	HOSE O.D.	RECOMMENDED WORKING PRESSURE P.S.I.	MIN. BURST PRESSURE P.S.I.	MIN. BEND RADIUS	APPROX. WT. PER 100 FT.	USE WITH FOLLOWING FITTING SERIES
$\frac{3}{8}$ 1BSR	$\frac{3}{8}$	$\frac{3}{4}$	500	2000	$2\frac{1}{2}$ "	9.0	95 Series
$\frac{1}{4}$ 1BSR	$\frac{1}{4}$	$\frac{1}{2}$	400	1600	$2\frac{1}{2}$ "	11.0	99 Series
$\frac{3}{8}$ 1BSR	$\frac{3}{8}$	$\frac{3}{4}$	400	1600	3"	12.0	106 Series
$\frac{3}{8}$ 1BSR	$\frac{3}{8}$	$\frac{3}{4}$	400	1600	3"	14.0	112 Series

TYPE 2BSR • 2 RAYON BRAID HOSE

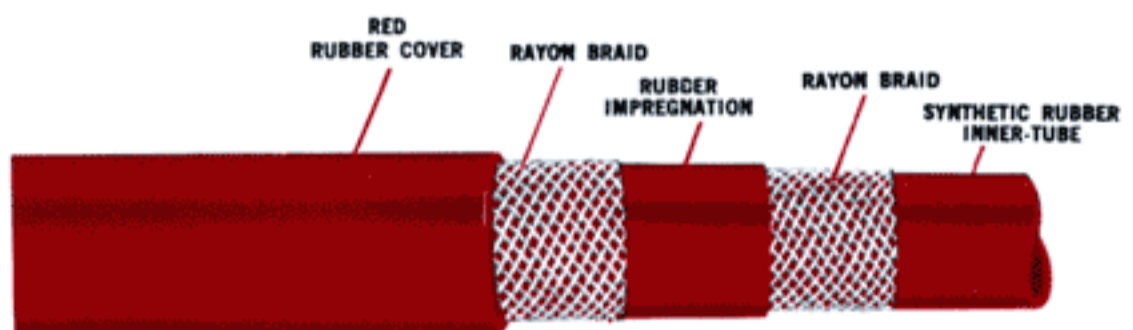
Lenz Type 2BSR, industrial low pressure hydraulic 2 Rayon Braid hose is made of synthetic rubber tube and cover that is compounded for resistance to oil, heat and cold. As shown in the cut-away view it is reinforced with two layers of tough rayon cord, uniformly braided for greater flexibility under working conditions. Recommended working temperatures are -40° F. to $+200^{\circ}$ F. Type 2BSR meets S.A.E. 100R3 specifications.



PART NO.	HOSE I.D.	HOSE O.D.	RECOMMENDED WORKING PRESSURE P.S.I.	MIN. BURST PRESSURE P.S.I.	MIN. BEND RADIUS	APPROX. WT. PER 100 FT.	USE WITH FOLLOWING FITTING SERIES
$\frac{1}{4}$ 2BSR	$\frac{1}{4}$	$\frac{1}{2}$	1250	5000	3"	13.0	98 Series
$\frac{3}{8}$ 2BSR	$\frac{3}{8}$	$\frac{3}{4}$	1125	4500	4"	20.0	115 Series
$\frac{1}{2}$ 2BSR	$\frac{1}{2}$	$\frac{1}{2}$	1000	4000	5"	31.0	206 Series
$\frac{3}{4}$ 2BSR	$\frac{3}{4}$	$1\frac{1}{4}$	750	3000	6"	47.0	217 Series
1" 2BSR	1"	$1\frac{1}{2}$	550	2250	8"	60.0	226 Series

1½ FTR MULTI-PURPOSE RAYON BRAID HOSE

1½ Lenz Multi-Purpose Rayon Braid Hose is offered in Type FTR, double rayon braid. As the name implies, this is the hose for many low pressure applications. It is an economical hose for use with air, water, oils, fuels and other common petroleum base fluids. As shown in the cutaway, it has a seamless, oil-resistant synthetic rubber outer cover. The working temperature range is -40° F to $+200^{\circ}$ F.



PART NO.	HOSE I.D.	HOSE O.D.	RAYON BRAIDS	REC. WORKING PRESSURE (PSI)	APPROX. WT. PER 100 FT.	USE FOLLOWING FITTINGS SERIES
1½FTR	1½	$2\frac{1}{2}$	2	250	82.0	245 Series

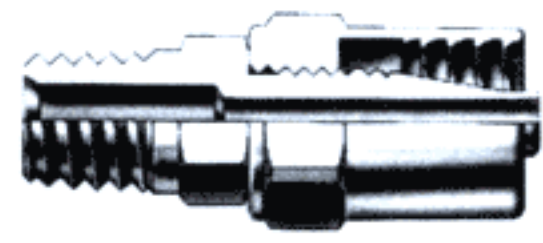


LENZ FULL LINE OF RE-USABLE

Brass and Steel Hose Fittings

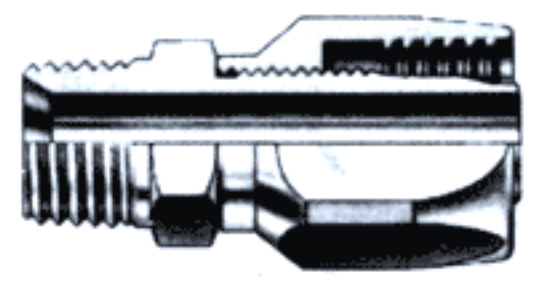
* Need not be discarded with worn hose. Remove and reuse with new hose.

MALE FITTINGS
90H thru
136H



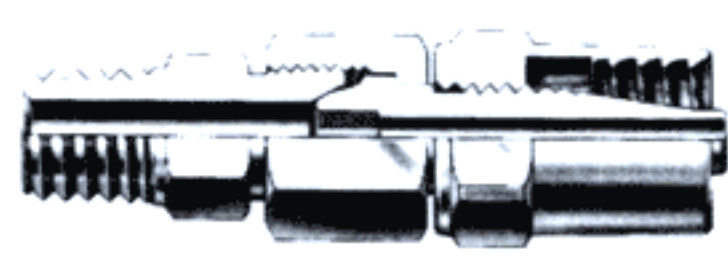
Brass Male Fittings For
 $\frac{3}{16}$ " , $\frac{1}{4}$ " , $\frac{5}{16}$ " ,
 $\frac{3}{8}$ " , $\frac{1}{2}$ " Hose I.D.

MALE FITTINGS
205H thru
245H



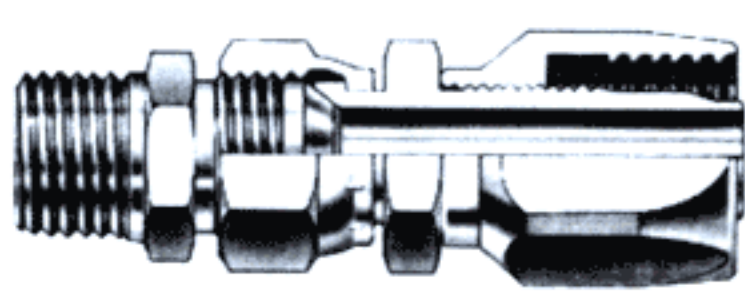
Steel Male Fittings For
 $\frac{1}{2}$ " , $\frac{3}{4}$ " ,
1" , $1\frac{1}{2}$ " Hose I.D.

***UNION MALE FITTINGS**
90HUM thru
136HUM



Brass, Complete With Adapter For
 $\frac{3}{16}$ " , $\frac{1}{4}$ " , $\frac{5}{16}$ " ,
 $\frac{3}{8}$ " and $\frac{1}{2}$ " Hose I.D.

***UNION MALE FITTINGS**
205HUM thru
245HUM



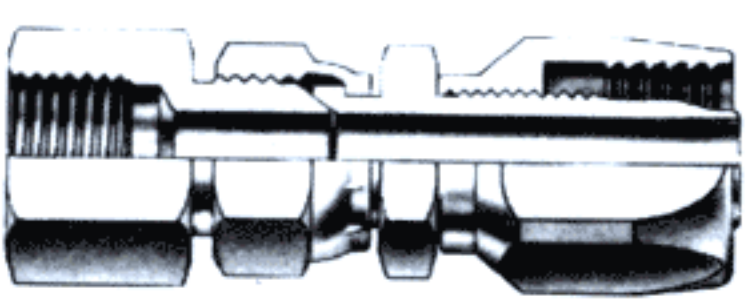
Steel, Complete With Adapter For
 $\frac{1}{2}$ " , $\frac{3}{4}$ " , 1" ,
 $1\frac{1}{2}$ " Hose I.D.

***UNION FEMALE FITTINGS**
90HUF thru
136HUF



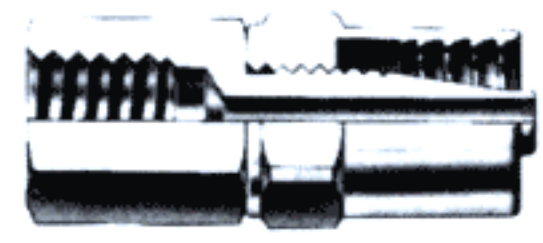
Brass, Complete With Adapter For
 $\frac{3}{16}$ " , $\frac{1}{4}$ " , $\frac{5}{16}$ " ,
 $\frac{3}{8}$ " and $\frac{1}{2}$ " Hose I.D.

***UNION FEMALE FITTINGS**
205HUF thru
245HUF



Steel, Complete With Adapter For
 $\frac{1}{2}$ " , $\frac{3}{4}$ " , 1" ,
 $1\frac{1}{2}$ " Hose I.D.

FEMALE FITTINGS
97HF thru
105HF



Brass Female Fittings For
 $\frac{1}{4}$ " Hose I.D.

It is critical that the O.D. and I.D. of the hose and fitting correspond. EXAMPLE: $1\frac{1}{4}$ " I.D. and $1\frac{1}{2}$ " O.D. We use 99 Series fittings.

FITTINGS FOR $\frac{3}{16}$ " HOSE I.D. (Brass)

MALE FITTING	UNION MALE FITTING	UNION FEMALE FITTING	FEMALE FITTING	HOSE O.D.	PIPE SIZE
90H-1	90HUM-1	90HUF-1	—	$\frac{7}{16}$	$\frac{1}{8}$
—	90HUM-2	90HUF-2	—	$\frac{7}{16}$	$\frac{1}{4}$
—	90HUM-3	90HUF-3	—	$\frac{7}{16}$	$\frac{3}{8}$
—	90HUM-4	—	—	$\frac{7}{16}$	$\frac{1}{2}$
93H-1	93HUM-1	93HUF-1	—	$\frac{1}{2}$	$\frac{1}{8}$
93H-2	93HUM-2	93HUF-2	—	$\frac{1}{2}$	$\frac{1}{4}$
—	93HUM-3	93HUF-3	—	$\frac{1}{2}$	$\frac{3}{8}$
—	93HUM-4	—	—	$\frac{1}{2}$	$\frac{1}{2}$
95H-1	95HUM-1	95HUF-1	—	$1\frac{1}{32}$	$\frac{1}{8}$
95H-2	95HUM-2	95HUF-2	—	$1\frac{1}{32}$	$\frac{1}{4}$
—	95HUM-3	95HUF-3	—	$1\frac{1}{32}$	$\frac{3}{8}$
—	95HUM-4	—	—	$1\frac{1}{32}$	$\frac{1}{2}$
96H-1	96HUM-1	96HUF-1	—	$\frac{9}{16}$	$\frac{1}{8}$
96H-2	96HUM-2	96HUF-2	—	$\frac{9}{16}$	$\frac{1}{4}$
—	96HUM-3	96HUF-3	—	$\frac{9}{16}$	$\frac{3}{8}$
—	96HUM-4	—	—	$\frac{9}{16}$	$\frac{1}{2}$

FITTINGS FOR $\frac{1}{4}$ " HOSE I.D. (Brass)

97H-1	97HUM-1	97HUF-1	—	$1\frac{1}{32}$	$\frac{1}{8}$
97H-2	97HUM-2	97HUF-2	97HF-2	$1\frac{1}{32}$	$\frac{1}{4}$
97H-3	97HUM-3	97HUF-3	—	$1\frac{1}{32}$	$\frac{3}{8}$
—	97HUM-4	—	—	$1\frac{1}{32}$	$\frac{1}{2}$
98H-1	98HUM-1	98HUF-1	—	$1\frac{1}{32}$	$\frac{1}{8}$
98H-2	98HUM-2	98HUF-2	98HF-2	$1\frac{1}{32}$	$\frac{1}{4}$
98H-3	98HUM-3	98HUF-3	—	$1\frac{1}{32}$	$\frac{3}{8}$
—	98HUM-4	—	—	$1\frac{1}{32}$	$\frac{1}{2}$
99H-1	99HUM-1	99HUF-1	—	$\frac{1}{2}$	$\frac{1}{8}$
99H-2	99HUM-2	99HUF-2	99HF-2	$\frac{1}{2}$	$\frac{1}{4}$
99H-3	99HUM-3	99HUF-3	—	$\frac{1}{2}$	$\frac{3}{8}$
—	99HUM-4	—	—	$\frac{1}{2}$	$\frac{1}{2}$
100H-1	100HUM-1	100HUF-1	—	$1\frac{1}{32}$	$\frac{1}{8}$
100H-2	100HUM-2	100HUF-2	100HF-2	$1\frac{1}{32}$	$\frac{1}{4}$
100H-3	100HUM-3	100HUF-3	—	$1\frac{1}{32}$	$\frac{3}{8}$
—	100HUM-4	—	—	$1\frac{1}{32}$	$\frac{1}{2}$
101H-1	101HUM-1	101HUF-1	—	$\frac{5}{8}$	$\frac{1}{8}$
101H-2	101HUM-2	101HUF-2	101HF-2	$\frac{5}{8}$	$\frac{1}{4}$
101H-3	101HUM-3	101HUF-3	—	$\frac{5}{8}$	$\frac{3}{8}$
—	101HUM-4	—	—	$\frac{5}{8}$	$\frac{1}{2}$
102H-1	102HUM-1	102HUF-1	—	$\frac{5}{8}$	$\frac{1}{8}$
102H-2	102HUM-2	102HUF-2	102HF-2	$\frac{5}{8}$	$\frac{1}{4}$
102H-3	102HUM-3	102HUF-3	—	$\frac{5}{8}$	$\frac{3}{8}$
—	102HUM-4	—	—	$\frac{5}{8}$	$\frac{1}{2}$
103H-1	103HUM-1	103HUF-1	—	$2\frac{1}{32}$	$\frac{1}{8}$
103H-2	103HUM-2	103HUF-2	103HF-2	$2\frac{1}{32}$	$\frac{1}{4}$
103H-3	103HUM-3	103HUF-3	—	$2\frac{1}{32}$	$\frac{3}{8}$
—	103HUM-4	—	—	$2\frac{1}{32}$	$\frac{1}{2}$
104H-1	104HUM-1	104HUF-1	—	$1\frac{1}{16}$	$\frac{1}{8}$
104H-2	104HUM-2	104HUF-2	104HF-2	$1\frac{1}{16}$	$\frac{1}{4}$
104H-3	104HUM-3	104HUF-3	—	$1\frac{1}{16}$	$\frac{3}{8}$
—	104HUM-4	—	—	$1\frac{1}{16}$	$\frac{1}{2}$
105H-1	105HUM-1	105HUF-1	—	$\frac{3}{4}$	$\frac{1}{8}$
105H-2	105HUM-2	105HUF-2	105HF-2	$\frac{3}{4}$	$\frac{1}{4}$
105H-3	105HUM-3	105HUF-3	—	$\frac{3}{4}$	$\frac{3}{8}$
—	105HUM-4	—	—	$\frac{3}{4}$	$\frac{1}{2}$

See "How To Assemble Low Pressure Hose Fittings" Instructions On Inside Front Cover

Attention:

None of the hose fittings manufactured and/or sold by THE LENZ COMPANY are to be used for life dependency applications such as in diving, for oxygen, air, or other breathing applications. There are instances where the weight of long hose lines would be on the fitting with the possibility of the hose pulling out of the fitting. This could have disastrous results in a breathing application.

We specifically call your attention to the 90 through 136 Low Pressure Fittings shown in this Catalog LP 301, WDM, or revisions thereof. These fittings are intended for welding, low pressure hydraulics or pneumatics. This non-use for life dependency applications such as in diving, for oxygen, air or other breathing applications applies to all of the hose fittings manufactured and/or sold by THE LENZ COMPANY and/or related companies. None of our fittings are designed for this type of use.

LOW PRESSURE HOSE FITTINGS

LENZ
HOSE
FITTINGS

INDUSTRIAL
LOW PRESSURE
HOSE FITTINGS
FOR USE WITH 1 &
RAYON BRAID HOSE

* EXCLUSIVE LENZ FEATURE

All Lenz Union Male and Union Female Fittings are supplied complete with hose adapters. No other parts needed to make connections. Without adapters, see ordering instructions below.

This selection of Lenz low pressure hose fittings is one of the largest and most complete in the country. Fittings are made especially for use with 1 and 2 Braid Rayon Reinforced Hose. Reusable, with high resistance to wear, they can be used over and over again. Easily and quickly attached they provide positive end seal that prevents absorption of fluid into fabric reinforcement and grip tightly with no damage to the hose. See "How To Assemble", on inside front cover.

FITTINGS FOR 5/16" HOSE I.D. (Brass)

MALE FITTING	UNION MALE FITTING	UNION FEMALE FITTING	FEMALE FITTING	HOSE O.D.	PIPE SIZE
—	106HUM-1	106HUF-1	—	3/8	1/8
106H-2	106HUM-2	106HUF-2	—	3/8	1/4
106H-3	106HUM-3	106HUF-3	—	3/8	3/8
—	106HUM-4	—	—	3/8	1/2
—	107HUM-1	107HUF-1	—	3/8	1/8
107H-2	107HUM-2	107HUF-2	—	3/8	1/4
107H-3	107HUM-3	107HUF-3	—	3/8	3/8
—	107HUM-4	—	—	3/8	1/2
—	108HUM-1	108HUF-1	—	7/32	1/8
108H-2	108HUM-2	108HUF-2	—	7/32	1/4
108H-3	108HUM-3	108HUF-3	—	7/32	3/8
—	108HUM-4	—	—	7/32	1/2
—	109HUM-1	109HUF-1	—	13/32	1/8
109H-2	109HUM-2	109HUF-2	—	13/32	1/4
109H-3	109HUM-3	109HUF-3	—	13/32	3/8
—	109HUM-4	—	—	13/32	1/2
—	110HUM-1	110HUF-1	—	3/4	1/8
110H-2	110HUM-2	110HUF-2	—	3/4	1/4
110H-3	110HUM-3	110HUF-3	—	3/4	3/8
—	110HUM-4	—	—	3/4	1/2

FITTINGS FOR 3/8" HOSE I.D. (Brass)

112H-2	112HUM-2	112HUF-2	—	3/8	1/4
112H-3	112HUM-3	112HUF-3	—	3/8	3/8
—	112HUM-4	—	—	3/8	1/2
—	113HUM-1	113HUF-1	—	7/32	1/8
113H-2	113HUM-2	113HUF-2	—	7/32	1/4
113H-3	113HUM-3	113HUF-3	—	7/32	3/8
—	113HUM-4	—	—	7/32	1/2
—	114HUM-1	114HUF-1	—	13/32	1/8
114H-2	114HUM-2	114HUF-2	—	13/32	1/4
114H-3	114HUM-3	114HUF-3	—	13/32	3/8
—	114HUM-4	—	—	13/32	1/2
—	115HUM-1	115HUF-1	—	3/4	1/8
115H-2	115HUM-2	115HUF-2	—	3/4	1/4
115H-3	115HUM-3	115HUF-3	—	3/4	3/8
—	115HUM-4	—	—	3/4	1/2

FITTINGS FOR 1/2" HOSE I.D. (Brass)*

—	135HUM-2	135HUF-2	—	3/4	1/4
135H-3	135HUM-3	135HUF-3	—	3/4	3/8
135H-4	135HUM-4	135HUF-4	—	3/4	1/2
—	136HUM-2	136HUF-2	—	7/8	1/4
136H-3	136HUM-3	136HUF-3	—	7/8	3/8
136H-4	136HUM-4	136HUF-4	—	7/8	1/2

* Steel Swivel Nuts Std., Brass Nuts Optional

It is critical that the O.D. and I.D. of the hose and fitting correspond. EXAMPLE: 1/4" I.D. and 1/2" O.D. We use 99 Series fittings.

FITTINGS FOR 1/2" HOSE I.D. (Steel)

MALE FITTING	UNION MALE FITTING	UNION FEMALE FITTING	OTHER FITTINGS	HOSE O.D.	PIPE SIZE
—	205HUM-2	205HUF-2	OTHER FITTING ENDS AVAILABLE FROM STOCK - 205 Through 226 Series, SUCH AS MALE J.I.C., LENZ "O-RING-SEAL" TUBE END, J.I.C. SWIVEL and UNION MALE PIPE HOSE END - WRITE FOR COMPLETE INFORMATION.	1 1/8	1/4
205H-3	205HUM-3	205HUF-3		1 1/8	3/8
205H-4	205HUM-4	205HUF-4		1 1/8	1/2
—	205HUM-6	—		1 1/8	3/4
—	206HUM-2	206HUF-2		1 3/8	1/4
206H-3	206HUM-3	206HUF-3		1 3/8	3/8
206H-4	206HUM-4	206HUF-4		1 3/8	1/2
—	206HUM-6	—		1 3/8	3/4
—	207HUM-2	207HUF-2		1"	1/4
207H-3	207HUM-3	207HUF-3		1"	3/8
207H-4	207HUM-4	207HUF-4		1"	1/2
—	207HUM-6	—		1"	3/4
—	209HUM-2	209HUF-2		3/8	1/4
209H-3	209HUM-3	209HUF-3		3/8	3/8
209H-4	209HUM-4	209HUF-4		3/8	1/2
—	209HUM-6	—		3/8	3/4

FOR 3/4" HOSE I.D.

—	214HUM-4	214HUF-4	1 3/8	1/2
214H-6	214HUM-6	214HUF-6	1 3/8	3/4
—	216HUM-4	216HUF-4	1 3/8	1/2
216H-6	216HUM-6	216HUF-6	1 3/8	3/4
—	217HUM-4	217HUF-4	1 1/4	1/2
217H-6	217HUM-6	217HUF-6	1 1/4	3/4

FOR 1" HOSE I.D.

—	224HUM-6	224HUF-6	1 3/8	3/4
224H-8	224HUM-8	224HUF-8	1 3/8	1"
—	225HUM-6	225HUF-6	1 3/8	3/4
225H-8	225HUM-8	225HUF-8	1 3/8	1"
—	226HUM-6	226HUF-6	1 1/2	3/4
226H-8	226HUM-8	226HUF-8	1 1/2	1"

FOR 1-1/2" HOSE I.D.

245H-10	245HUM-10	—	2 1/2	1 1/4
245H-12	245HUM-12	245HUF-12	2 1/2	1 1/2

HOW TO ORDER LENZ UNION SWIVEL FITTINGS WITHOUT ADAPTERS



In Cases where Union Swivel Fittings are desired without adapters specify the series number followed by HU. For Example: For 3/8" I.D. x 3/4" O.D. hose specify 115HU. 205-HU, and up, are J.I.C. 37° Flare Swivel Fittings, see page 10 for smaller sizes in 37° Fittings.

NOTE: See Pages 14, 18 And 19 For Adapters For Both Brass And Steel Fittings

Attention:

None of the hose fittings manufactured and/or sold by THE LENZ COMPANY are to be used for life dependency applications such as in diving, for oxygen, air, or other breathing applications.

There are instances where the weight of long hose lines would be on the fitting with the possibility of the hose pulling out of the fitting. This could have disastrous results in a breathing application.

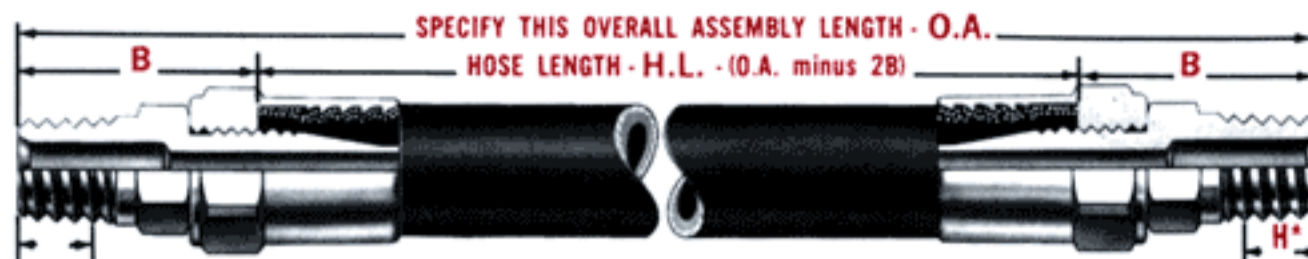
We specifically call your attention to the 90 through 136 Low Pressure Fittings shown in this Catalog LP 301, WDM, or revisions thereof. These fittings are intended for welding, low pressure hydraulics or pneumatics.

This non-use for life dependency applications such as in diving, for oxygen, air or other breathing applications applies to all of the hose fittings manufactured and/or sold by THE LENZ COMPANY and/or related companies. None of our fittings are designed for this type of use.

LENZ 1 AND 2 RAYON BRAID

Most Popular Size Assemblies from Stocked Hose Fittings

MALE PIPE END TO MALE PIPE END ASSEMBLIES



SHOWN ABOVE - AL and SAL ASSEMBLIES THROUGH 3/8" I.D. HOSE SIZE (BRASS FITTINGS)



SHOWN ABOVE - AL ASSEMBLIES 1/2" I.D. HOSE SIZE and LARGER (STEEL FITTINGS)

TYPE 2BSR • TWO RAYON BRAID HOSE ASSEMBLIES

ASS'Y. NO.	HOSE I.D.	HOSE O.D.	MALE NPT	MALE NPT	MALE HOSE FITTING	MALE HOSE FITTING	MALE FITTING ALLOW. B	TOTAL FITTING ALLOW. 2B	H*
AL2-11	1/4	3/8	1/8	1/8	98H-1	98H-1	3/32	1 1/16	1/32
AL2-22	1/4	3/8	1/4	1/4	98H-2	98H-2	13/64	2 3/8	3/8
AL2-33	1/4	3/8	3/8	3/8	98H-3	98H-3	13/64	2 3/8	1 1/32
AL2-44	1/4	3/8	1/2	1/2	98H-4	98H-4	1 1/32	2 1/16	1 1/32
AL3-22	3/8	3/4	1/4	1/4	115H-2	115H-2	13/64	2 3/8	3/8
AL3-33	3/8	3/4	3/8	3/8	115H-3	115H-3	13/64	2 3/8	1 1/32
AL4-33†	1/2	1 1/8	3/8	3/8	206H-3	206H-3	1 1/32	3 1/8	1 1/32
AL4-44†	1/2	1 1/8	1/2	1/2	206H-4	206H-4	1 1/16	3 3/8	1 1/32
AL6-44†	3/4	1 1/4	1/2	1/2	217H-4	217H-4	1 1/32	3 1/16	1 1/32
AL6-66†	3/4	1 1/4	3/4	3/4	217H-6	217H-6	1 3/8	3 3/4	3/8
AL8-66†	1"	1 1/2	3/4	3/4	226H-6	226H-6	1 1/16	3 3/8	3/8
AL8-88†	1"	1 1/2	1"	1"	226H-8	226H-8	2 1/8	4 1/4	1 1/32
AL12-1010†	1 1/2	2 1/2	1 1/4	1 1/4	245H-10	245H-10	2 1/32	4 1/16	1 1/8
AL12-1212†	1 1/2	2 1/2	1 1/2	1 1/2	245H-12	245H-12	2 3/8	4 3/8	1 1/8

†Steel Fittings

*Hand Engagement Plus One Full Thread

TYPE 1BSR • ONE RAYON BRAID HOSE ASSEMBLIES

ASS'Y. NO.	HOSE I.D.	HOSE O.D.	MALE NPT	MALE NPT	MALE HOSE FITTING	MALE HOSE FITTING	MALE FITTING ALLOW. B	TOTAL FITTING ALLOW. 2B	H*
SAL15-11	3/8	3/8	1/8	1/8	95H-1	95H-1	1"	2"	1/32
SAL15-22	3/8	3/8	1/4	1/4	95H-2	95H-2	1 1/32	2 3/8	3/8
SAL2-11	1/4	1/2	1/8	1/8	99H-1	99H-1	3/32	1 1/16	1/32
SAL2-22	1/4	1/2	1/4	1/4	99H-2	99H-2	13/64	2 3/8	3/8
SAL2-33	1/4	1/2	3/8	3/8	99H-3	99H-3	13/64	2 3/8	1 1/32
SAL2-44	1/4	1/2	1/2	1/2	99H-4	99H-4	1 1/32	2 1/16	1 1/32
SAL25-22	3/8	3/8	1/4	1/4	106H-2	106H-2	13/64	2 3/8	3/8
SAL25-33	3/8	3/8	3/8	3/8	106H-3	106H-3	13/64	2 3/8	1 1/32
SAL25-44	3/8	3/8	1/2	1/2	106H-4	106H-4	1 1/32	2 1/16	1 1/32
SAL3-22	3/8	3/8	1/4	1/4	112H-2	112H-2	13/64	2 3/8	3/8
SAL3-33	3/8	3/8	3/8	3/8	112H-3	112H-3	13/64	2 3/8	1 1/32

*Hand Engagement Plus One Full Thread

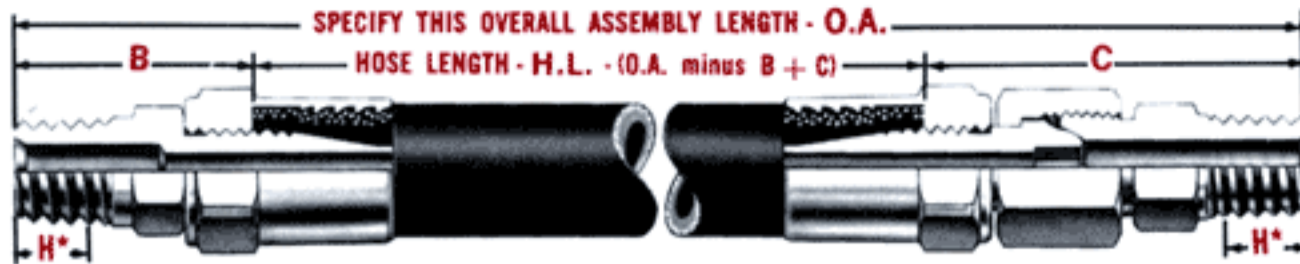
RE-USABLE HOSE ASSEMBLIES

Assemblies Shown and Listed, Made Up and Shipped Within 24 Hours



INDUSTRIAL
LOW PRESSURE
HOSE ASSEMBLIES
1 & 2 RAYON BRAID
RUBBER COVER HOSE

MALE PIPE END TO UNION MALE END ASSEMBLIES



SHOWN ABOVE - BL ASSEMBLIES 1/2" I.D. HOSE SIZE and LARGER (STEEL FITTINGS)

TYPE 2BSR • TWO RAYON BRAID HOSE ASSEMBLIES

ASS'Y. NO.	HOSE I.D.	HOSE O.D.	MALE NPT	UNION MALE NPT	MALE HOSE FITTING	UNION MALE HOSE FITTING	MALE FITTING ALLOW. B	UNION MALE FITTING ALLOW. C	TOTAL FITTING ALLOW. B + C	H*
BL2-11	1/4	3/8	1/8	1/8	98H-1	98HUM-1	3/32	1 1/4	2 3/32	3/32
BL2-22	1/4	3/8	1/4	1/4	98H-2	98HUM-2	1 3/16	1 23/32	3 3/32	3/8
BL2-33	1/4	3/8	3/8	3/8	98H-3	98HUM-3	1 3/16	1 13/16	3 1/8	1 3/32
BL2-44	1/4	3/8	1/2	1/2	98H-4	98HUM-4	1 13/32	2 3/32	3 13/16	1 1/32
BL3-22	3/8	3/4	1/4	1/4	115H-2	115HUM-2	1 3/16	2 3/16	3 3/8	3/8
BL3-33	3/8	3/4	3/4	3/4	115H-3	115HUM-3	1 3/16	2 1/4	3 1/4	1 3/32
BL4-33†	1/2	1 1/8	3/8	3/8	206H-3	206HUM-3	1 13/32	2 13/32	4 1/8	1 3/32
BL4-44†	1/2	1 1/8	1/2	1/2	206H-4	206HUM-4	1 13/16	2 23/32	4 13/32	1 3/32
BL6-44†	3/4	1 1/4	1/2	1/2	217H-4	217HUM-4	1 23/32	3 1/4	5 3/32	1 3/32
BL6-66†	3/4	1 1/4	3/4	3/4	217H-6	217HUM-6	1 3/8	3 3/32	5 3/32	3/8
BL8-66†	1"	1 1/2	3/4	3/4	226H-6	226HUM-6	1 3/8	3 3/16	5 1/2	3/8
BL8-88†	1"	1 1/2	1"	1"	226H-8	226HUM-8	2 1/8	3 3/4	5 5/8	2 3/32
BL12-1010†	1 1/2	2 3/32	1 1/4	1 1/4	245H-10	245HUM-10	2 13/32	4 13/32	6 3/4	1 1/16
BL12-1212†	1 1/2	2 3/32	1 1/2	1 1/2	245H-12	245HUM-12	2 3/16	4 13/32	6 23/32	1 1/16

†Steel Fittings

*Hand Engagement Plus One Full Thread

TYPE 1BSR • ONE RAYON BRAID HOSE ASSEMBLIES

ASS'Y. NO.	HOSE I.D.	HOSE O.D.	MALE NPT	UNION MALE NPT	MALE HOSE FITTING	UNION MALE HOSE FITTING	MALE FITTING ALLOW. B	UNION MALE FITTING ALLOW. C	TOTAL FITTING ALLOW. B + C	H*
SBL15-11	3/16	7/16	1/8	1/8	95H-1	95HUM-1	1"	1 3/4	2 3/4	9/32
SBL15-22	3/16	7/16	1/4	1/4	95H-2	95HUM-2	1 1/32	1 29/32	3 1/8	3/8
SBL2-11	1/4	1/2	1/8	1/8	99H-1	99HUM-1	2 1/32	1 3/4	2 23/32	9/32
SBL2-22	1/4	1/2	1/4	1/4	99H-2	99HUM-2	1 3/16	1 29/32	3 3/32	3/8
SBL2-33	1/4	1/2	3/8	3/8	99H-3	99HUM-3	1 3/16	1 15/16	3 1/8	13/32
SBL2-44	1/4	1/2	1/2	1/2	99H-4	99HUM-4	1 13/32	2 9/32	3 11/16	17/32
SBL25-22	5/16	9/16	1/4	1/4	106H-2	106HUM-2	1 3/16	1 29/32	3 3/32	3/8
SBL25-33	5/16	9/16	3/8	3/8	106H-3	106HUM-3	1 3/16	1 15/16	3 1/8	13/32
SBL25-44	5/16	9/16	1/2	1/2	106H-4	106HUM-4	1 13/32	2 9/32	3 11/16	17/32
SBL3-22	3/8	5/8	1/4	1/4	112H-2	112HUM-2	1 3/16	2 3/16	3 3/8	3/8
SBL3-33	3/8	5/8	3/8	3/8	112H-3	112HUM-3	1 3/16	2 1/4	3 1/16	13/32

*Hand Engagement Plus One Full Thread

LENZ 1 AND 2 RAYON BRAID

Most Popular Size Assemblies from Stocked Hose Fittings

MALE PIPE END TO UNION FEMALE END ASSEMBLIES



SHOWN ABOVE - CL and SCL ASSEMBLIES THROUGH $\frac{3}{8}$ " I.D. HOSE SIZE (BRASS FITTINGS)



SHOWN ABOVE - CL ASSEMBLIES $\frac{1}{2}$ " I.D. HOSE SIZE and LARGER (STEEL FITTINGS)

TYPE 2BSR • TWO RAYON BRAID HOSE ASSEMBLIES

ASS'Y. NO.	HOSE I.D.	HOSE O.D.	MALE NPT	UNION FEMALE NPT	MALE HOSE FITTING	UNION FEMALE HOSE FITTING	MALE FITTING ALLOW. B	UNION FEMALE FITTING ALLOW. D	TOTAL FITTING ALLOW. B + D	H*
CL2-11	$\frac{1}{4}$	$\frac{3}{8}$	$\frac{1}{8}$	$\frac{1}{8}$	98H-1	98HUF-1	$\frac{3}{32}$	$1\frac{1}{8}$	$2\frac{1}{32}$	$\frac{3}{32}$
CL2-22	$\frac{1}{4}$	$\frac{3}{8}$	$\frac{1}{4}$	$\frac{1}{4}$	98H-2	98HUF-2	$1\frac{1}{8}$	$1\frac{1}{8}$	$3\frac{1}{8}$	$\frac{3}{8}$
CL2-33	$\frac{1}{4}$	$\frac{3}{8}$	$\frac{3}{8}$	$\frac{3}{8}$	98H-3	98HUF-3	$1\frac{1}{8}$	$1\frac{1}{8}$	$3\frac{1}{8}$	$1\frac{1}{32}$
CL3-22	$\frac{3}{8}$	$\frac{3}{4}$	$\frac{1}{4}$	$\frac{1}{4}$	115H-2	115HUF-2	$1\frac{1}{8}$	$2\frac{1}{8}$	$3\frac{1}{8}$	$\frac{3}{8}$
CL3-33	$\frac{3}{8}$	$\frac{3}{4}$	$\frac{3}{8}$	$\frac{3}{8}$	115H-3	115HUF-3	$1\frac{1}{8}$	$2\frac{1}{8}$	$3\frac{1}{8}$	$1\frac{1}{32}$
CL4-33†	$\frac{1}{2}$	$1\frac{1}{8}$	$\frac{3}{8}$	$\frac{3}{8}$	206H-3	206HUF-3	$1\frac{1}{32}$	$2\frac{1}{8}$	$4\frac{1}{32}$	$1\frac{1}{32}$
CL4-44†	$\frac{1}{2}$	$1\frac{1}{8}$	$\frac{1}{2}$	$\frac{1}{2}$	206H-4	206HUF-4	$1\frac{1}{8}$	$2\frac{29}{32}$	$4\frac{1}{32}$	$1\frac{1}{32}$
CL6-44†	$\frac{3}{4}$	$1\frac{1}{4}$	$\frac{1}{2}$	$\frac{1}{2}$	217H-4	217HUF-4	$1\frac{29}{32}$	$3\frac{1}{4}$	$5\frac{1}{32}$	$1\frac{1}{32}$
CL6-66†	$\frac{3}{4}$	$1\frac{1}{4}$	$\frac{3}{4}$	$\frac{3}{4}$	217H-6	217HUF-6	$1\frac{1}{8}$	$3\frac{1}{8}$	$5\frac{1}{8}$	$\frac{1}{8}$
CL8-66†	1"	$1\frac{1}{2}$	$\frac{3}{4}$	$\frac{3}{4}$	226H-6	226HUF-6	$1\frac{1}{8}$	$3\frac{3}{8}$	$5\frac{1}{8}$	$\frac{1}{8}$
CL8-88†	1"	$1\frac{1}{2}$	1"	1"	226H-8	226HUF-8	$2\frac{1}{8}$	$3\frac{29}{32}$	$5\frac{29}{32}$	$\frac{1}{32}$
CL12-1212†	$1\frac{1}{2}$	$2\frac{1}{2}$	$1\frac{1}{2}$	$1\frac{1}{2}$	245H-12	245HUF-12	$2\frac{1}{8}$	$4\frac{1}{8}$	$6\frac{1}{4}$	$1\frac{1}{8}$

†Steel Fittings

*Hand Engagement Plus One Full Thread

TYPE 1BSR • ONE RAYON BRAID HOSE ASSEMBLIES

ASS'Y. NO.	HOSE I.D.	HOSE O.D.	MALE NPT	UNION FEMALE NPT	MALE HOSE FITTING	UNION FEMALE HOSE FITTING	MALE FITTING ALLOW. B	UNION FEMALE FITTING ALLOW. D	TOTAL FITTING ALLOW. B + D	H*
SCL15-11	$\frac{3}{8}$	$\frac{3}{8}$	$\frac{1}{8}$	$\frac{1}{8}$	95H-1	95HUF-1	1"	$1\frac{1}{8}$	$2\frac{1}{8}$	$\frac{3}{32}$
SCL15-22	$\frac{3}{8}$	$\frac{3}{8}$	$\frac{1}{4}$	$\frac{1}{4}$	95H-2	95HUF-2	$1\frac{1}{32}$	$1\frac{1}{8}$	$3\frac{1}{32}$	$\frac{3}{8}$
SCL2-11	$\frac{1}{4}$	$\frac{1}{2}$	$\frac{1}{8}$	$\frac{1}{8}$	99H-1	99HUF-1	$\frac{3}{32}$	$1\frac{1}{8}$	$2\frac{1}{32}$	$\frac{3}{32}$
SCL2-22	$\frac{1}{4}$	$\frac{1}{2}$	$\frac{1}{4}$	$\frac{1}{4}$	99H-2	99HUF-2	$1\frac{1}{8}$	$1\frac{1}{8}$	$3\frac{1}{8}$	$\frac{3}{8}$
SCL2-33	$\frac{1}{4}$	$\frac{1}{2}$	$\frac{3}{8}$	$\frac{3}{8}$	99H-3	99HUF-3	$1\frac{1}{8}$	$1\frac{1}{8}$	$3\frac{1}{8}$	$1\frac{1}{32}$
SCL25-22	$\frac{3}{8}$	$\frac{3}{8}$	$\frac{1}{4}$	$\frac{1}{4}$	106H-2	106HUF-2	$1\frac{1}{8}$	$1\frac{1}{8}$	$3\frac{1}{8}$	$\frac{3}{8}$
SCL25-33	$\frac{3}{8}$	$\frac{3}{8}$	$\frac{3}{8}$	$\frac{3}{8}$	106H-3	106HUF-3	$1\frac{1}{8}$	$1\frac{1}{8}$	$3\frac{1}{8}$	$1\frac{1}{32}$
SCL3-22	$\frac{3}{8}$	$\frac{3}{8}$	$\frac{1}{4}$	$\frac{1}{4}$	112H-2	112HUF-2	$1\frac{1}{8}$	$2\frac{1}{8}$	$3\frac{3}{8}$	$\frac{3}{8}$
SCL3-33	$\frac{3}{8}$	$\frac{3}{8}$	$\frac{3}{8}$	$\frac{3}{8}$	112H-3	112HUF-3	$1\frac{1}{8}$	$2\frac{1}{8}$	$3\frac{3}{8}$	$1\frac{1}{32}$

*Hand Engagement Plus One Full Thread

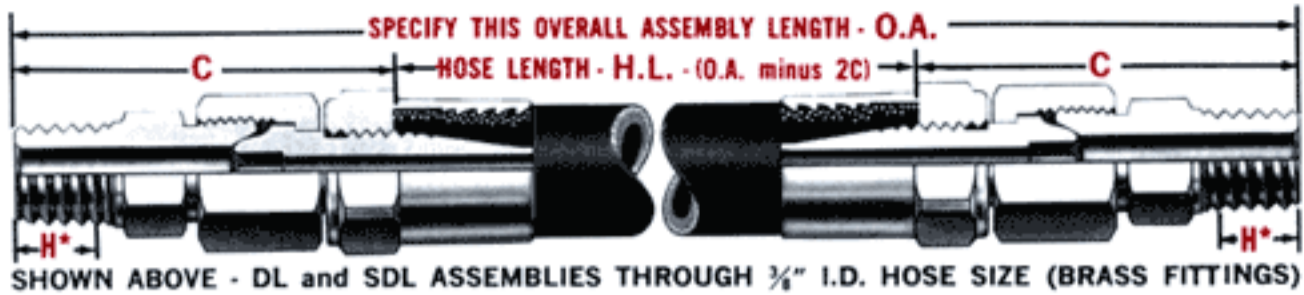
RE-USABLE HOSE ASSEMBLIES

Assemblies Shown and Listed, Made Up and Shipped Within 24 Hours



INDUSTRIAL
LOW PRESSURE
HOSE ASSEMBLIES
1 & 2 RAYON BRAID
RUBBER COVER HOSE

UNION MALE END TO UNION MALE END ASSEMBLIES



TYPE 2BSR • TWO RAYON BRAID HOSE ASSEMBLIES

ASS'Y. NO.	HOSE I.D.	HOSE O.D.	UNION MALE NPT	UNION MALE NPT	UNION MALE HOSE FITTING	UNION MALE HOSE FITTING	UNION MALE FITTING ALLOW. C	TOTAL FITTING ALLOW. 2C	H*
DL2-11	$\frac{1}{4}$	$\frac{3}{8}$	$\frac{1}{8}$	$\frac{1}{8}$	98HUM-1	98HUM-1	$1\frac{1}{4}$	$3\frac{1}{2}$	$\frac{3}{32}$
DL2-22	$\frac{1}{4}$	$\frac{3}{8}$	$\frac{1}{4}$	$\frac{1}{4}$	98HUM-2	98HUM-2	$1\frac{29}{32}$	$3\frac{13}{16}$	$\frac{3}{8}$
DL2-33	$\frac{1}{4}$	$\frac{3}{8}$	$\frac{3}{8}$	$\frac{3}{8}$	98HUM-3	98HUM-3	$1\frac{13}{16}$	$3\frac{7}{8}$	$1\frac{13}{32}$
DL2-44	$\frac{1}{4}$	$\frac{3}{8}$	$\frac{1}{2}$	$\frac{1}{2}$	98HUM-4	98HUM-4	$2\frac{29}{32}$	$4\frac{1}{8}$	$1\frac{17}{32}$
DL3-11	$\frac{3}{8}$	$\frac{3}{4}$	$\frac{1}{8}$	$\frac{1}{8}$	115HUM-1	115HUM-1	$2\frac{1}{32}$	$4\frac{1}{8}$	$\frac{3}{32}$
DL3-22	$\frac{3}{8}$	$\frac{3}{4}$	$\frac{1}{4}$	$\frac{1}{4}$	115HUM-2	115HUM-2	$2\frac{3}{8}$	$4\frac{3}{8}$	$\frac{3}{8}$
DL3-33	$\frac{3}{8}$	$\frac{3}{4}$	$\frac{3}{8}$	$\frac{3}{8}$	115HUM-3	115HUM-3	$2\frac{1}{4}$	$4\frac{1}{2}$	$1\frac{13}{32}$
DL3-44	$\frac{3}{8}$	$\frac{3}{4}$	$\frac{1}{2}$	$\frac{1}{2}$	115HUM-4	115HUM-4	$2\frac{19}{32}$	$5\frac{1}{8}$	$1\frac{17}{32}$
DL4-22†	$\frac{1}{2}$	$1\frac{1}{8}$	$\frac{1}{4}$	$\frac{1}{4}$	206HUM-2	206HUM-2	$2\frac{19}{32}$	$5\frac{1}{8}$	$\frac{3}{8}$
DL4-33†	$\frac{1}{2}$	$1\frac{1}{8}$	$\frac{3}{8}$	$\frac{3}{8}$	206HUM-3	206HUM-3	$2\frac{19}{32}$	$5\frac{1}{8}$	$1\frac{13}{32}$
DL4-44†	$\frac{1}{2}$	$1\frac{1}{8}$	$\frac{1}{2}$	$\frac{1}{2}$	206HUM-4	206HUM-4	$2\frac{29}{32}$	$5\frac{13}{16}$	$1\frac{17}{32}$
DL4-66†	$\frac{1}{2}$	$1\frac{1}{8}$	$\frac{3}{4}$	$\frac{3}{4}$	206HUM-6	206HUM-6	$2\frac{29}{32}$	$5\frac{13}{16}$	$\frac{3}{8}$
DL6-44†	$\frac{3}{4}$	$1\frac{1}{4}$	$\frac{1}{2}$	$\frac{1}{2}$	217HUM-4	217HUM-4	$3\frac{1}{4}$	$6\frac{1}{2}$	$1\frac{17}{32}$
DL6-66†	$\frac{3}{4}$	$1\frac{1}{4}$	$\frac{3}{4}$	$\frac{3}{4}$	217HUM-6	217HUM-6	$3\frac{29}{32}$	$6\frac{1}{8}$	$\frac{3}{8}$
DL8-66†	1"	$1\frac{1}{2}$	$\frac{3}{4}$	$\frac{3}{4}$	226HUM-6	226HUM-6	$3\frac{3}{8}$	$7\frac{1}{8}$	$\frac{3}{8}$
DL8-88†	1"	$1\frac{1}{2}$	1"	1"	226HUM-8	226HUM-8	$3\frac{3}{4}$	$7\frac{1}{2}$	$2\frac{1}{32}$
DL12-1010†	$1\frac{1}{2}$	$2\frac{1}{32}$	$1\frac{1}{4}$	$1\frac{1}{4}$	245HUM-10	245HUM-10	$4\frac{19}{32}$	$8\frac{13}{16}$	$1\frac{13}{16}$
DL12-1212†	$1\frac{1}{2}$	$2\frac{1}{32}$	$1\frac{1}{2}$	$1\frac{1}{2}$	245HUM-12	245HUM-12	$4\frac{19}{32}$	$8\frac{13}{16}$	$1\frac{13}{16}$

†Steel Fittings

*Hand Engagement Plus One Full Thread

TYPE 1BSR • ONE RAYON BRAID HOSE ASSEMBLIES

SDL15-11	$\frac{3}{8}$	$\frac{3}{8}$	$\frac{1}{8}$	$\frac{1}{8}$	95HUM-1	95HUM-1	$1\frac{3}{4}$	$3\frac{1}{2}$	$\frac{3}{32}$
SDL15-22	$\frac{3}{8}$	$\frac{3}{8}$	$\frac{1}{4}$	$\frac{1}{4}$	95HUM-2	95HUM-2	$1\frac{29}{32}$	$3\frac{13}{16}$	$\frac{3}{8}$
SDL15-33	$\frac{3}{8}$	$\frac{3}{8}$	$\frac{3}{8}$	$\frac{3}{8}$	95HUM-3	95HUM-3	$1\frac{13}{16}$	$3\frac{7}{8}$	$1\frac{13}{32}$
SDL15-44	$\frac{3}{8}$	$\frac{3}{8}$	$\frac{1}{2}$	$\frac{1}{2}$	95HUM-4	95HUM-4	$2\frac{29}{32}$	$4\frac{1}{8}$	$1\frac{17}{32}$
SDL2-11	$\frac{1}{4}$	$\frac{1}{2}$	$\frac{1}{8}$	$\frac{1}{8}$	99HUM-1	99HUM-1	$1\frac{3}{4}$	$3\frac{1}{2}$	$\frac{3}{32}$
SDL2-22	$\frac{1}{4}$	$\frac{1}{2}$	$\frac{1}{4}$	$\frac{1}{4}$	99HUM-2	99HUM-2	$1\frac{29}{32}$	$3\frac{13}{16}$	$\frac{3}{8}$
SDL2-33	$\frac{1}{4}$	$\frac{1}{2}$	$\frac{3}{8}$	$\frac{3}{8}$	99HUM-3	99HUM-3	$1\frac{13}{16}$	$3\frac{7}{8}$	$1\frac{13}{32}$
SDL2-44	$\frac{1}{4}$	$\frac{1}{2}$	$\frac{1}{2}$	$\frac{1}{2}$	99HUM-4	99HUM-4	$2\frac{29}{32}$	$4\frac{1}{8}$	$1\frac{17}{32}$
SDL25-11	$\frac{3}{8}$	$\frac{3}{8}$	$\frac{1}{8}$	$\frac{1}{8}$	106HUM-1	106HUM-1	$1\frac{3}{4}$	$3\frac{1}{2}$	$\frac{3}{32}$
SDL25-22	$\frac{3}{8}$	$\frac{3}{8}$	$\frac{1}{4}$	$\frac{1}{4}$	106HUM-2	106HUM-2	$1\frac{29}{32}$	$3\frac{13}{16}$	$\frac{3}{8}$
SDL25-33	$\frac{3}{8}$	$\frac{3}{8}$	$\frac{3}{8}$	$\frac{3}{8}$	106HUM-3	106HUM-3	$1\frac{13}{16}$	$3\frac{7}{8}$	$1\frac{13}{32}$
SDL25-44	$\frac{3}{8}$	$\frac{3}{8}$	$\frac{1}{2}$	$\frac{1}{2}$	106HUM-4	106HUM-4	$2\frac{29}{32}$	$4\frac{1}{8}$	$1\frac{17}{32}$
SDL3-11	$\frac{3}{8}$	$\frac{3}{8}$	$\frac{1}{8}$	$\frac{1}{8}$	112HUM-1	112HUM-1	$2\frac{1}{32}$	$4\frac{1}{8}$	$\frac{3}{32}$
SDL3-22	$\frac{3}{8}$	$\frac{3}{8}$	$\frac{1}{4}$	$\frac{1}{4}$	112HUM-2	112HUM-2	$2\frac{3}{8}$	$4\frac{3}{8}$	$\frac{3}{8}$
SDL3-33	$\frac{3}{8}$	$\frac{3}{8}$	$\frac{3}{8}$	$\frac{3}{8}$	112HUM-3	112HUM-3	$2\frac{1}{4}$	$4\frac{1}{2}$	$1\frac{13}{32}$
SDL3-44	$\frac{3}{8}$	$\frac{3}{8}$	$\frac{1}{2}$	$\frac{1}{2}$	112HUM-4	112HUM-4	$2\frac{3}{4}$	$5\frac{1}{8}$	$1\frac{17}{32}$

*Hand Engagement Plus One Full Thread

LENZ • P.O. BOX 1044 • DAYTON, OHIO 45401-1044 • PHONE: 937/277-9364 • FAX: 937/277-6516

OFFICE & FACTORY • 3301 KLEPINGER ROAD • DAYTON, OHIO 45406-1842

INTERNET: <http://www.lenzinc.com>



LENZ 1 AND 2 RAYON BRAID

Most Popular Size Assemblies from Stocked Hose Fittings

UNION FEMALE END TO UNION FEMALE END ASSEMBLIES



SHOWN ABOVE - EL and SEL ASSEMBLIES THROUGH 3/4" I.D. HOSE SIZE (BRASS FITTINGS)



SHOWN ABOVE - EL ASSEMBLIES 1/2" I.D. HOSE SIZE and LARGER (STEEL FITTINGS)

TYPE 2BSR • TWO RAYON BRAID HOSE ASSEMBLIES

ASS'Y. NO.	HOSE I.D.	HOSE O.D.	UNION FEMALE NPT	UNION FEMALE NPT	UNION FEMALE HOSE FITTING	UNION FEMALE HOSE FITTING	UNION FEMALE FITTING ALLOW. D	TOTAL FITTING ALLOW. 2D	H*
EL2-11	1/4	3/8	1/8	1/8	98HUF-1	98HUF-1	1 1/8	3 3/4	3/32
EL2-22	1/4	3/8	1/4	1/4	98HUF-2	98HUF-2	1 3/8	3 3/4	3/8
EL2-33	1/4	3/8	3/8	3/8	98HUF-3	98HUF-3	1 3/8	3 3/4	13/32
EL3-11	3/8	3/4	1/8	1/8	115HUF-1	115HUF-1	1 3/8	3 3/8	3/32
EL3-22	3/8	3/4	1/4	1/4	115HUF-2	115HUF-2	2 3/8	4 3/8	3/8
EL3-33	3/8	3/4	3/8	3/8	115HUF-3	115HUF-3	2 3/8	4 3/8	13/32
EL4-22†	1/2	1 1/8	1/4	1/4	206HUF-2	206HUF-2	2 1/8	5 3/8	3/8
EL4-33†	1/2	1 1/8	3/8	3/8	206HUF-3	206HUF-3	2 1/8	5 3/8	13/32
EL4-44†	1/2	1 1/8	1/2	1/2	206HUF-4	206HUF-4	2 29/32	5 3/8	13/32
EL6-44†	3/4	1 1/4	1/2	1/2	217HUF-4	217HUF-4	3 1/4	6 1/2	13/32
EL6-66†	3/4	1 1/4	3/4	3/4	217HUF-6	217HUF-6	3 3/8	6 3/8	3/4
EL8-66†	1"	1 1/2	3/4	3/4	226HUF-6	226HUF-6	3 3/8	6 3/4	3/4
EL8-88†	1"	1 1/2	1"	1"	226HUF-8	226HUF-8	3 29/32	7 3/8	29/32
EL12-1212†	1 1/2	2 1/2	1 1/2	1 1/2	245HUF-12	245HUF-12	4 3/8	8 3/8	1 1/4

†Steel Fittings

*Hand Engagement Plus One Full Thread

TYPE 1BSR • ONE RAYON BRAID HOSE ASSEMBLIES

ASS'Y. NO.	HOSE I.D.	HOSE O.D.	UNION FEMALE NPT	UNION FEMALE NPT	UNION FEMALE HOSE FITTING	UNION FEMALE HOSE FITTING	UNION FEMALE FITTING ALLOW. D	TOTAL FITTING ALLOW. 2D	H*
SEL15-11	3/8	3/8	1/8	1/8	95HUF-1	95HUF-1	1 1/8	3 1/4	3/32
SEL15-22	3/8	3/8	1/4	1/4	95HUF-2	95HUF-2	1 3/8	3 3/4	3/8
SEL15-33	3/8	3/8	3/8	3/8	95HUF-3	95HUF-3	1 3/8	3 3/4	13/32
SEL2-11	1/4	1/2	1/8	1/8	99HUF-1	99HUF-1	1 3/8	3 1/4	3/32
SEL2-22	1/4	1/2	1/4	1/4	99HUF-2	99HUF-2	1 3/8	3 3/4	3/8
SEL2-33	1/4	1/2	3/8	3/8	99HUF-3	99HUF-3	1 3/8	3 3/4	13/32
SEL25-11	3/8	3/8	1/8	1/8	106HUF-1	106HUF-1	1 3/8	3 3/4	3/32
SEL25-22	3/8	3/8	1/4	1/4	106HUF-2	106HUF-2	1 3/8	3 3/4	3/8
SEL25-33	3/8	3/8	3/8	3/8	106HUF-3	106HUF-3	1 3/8	3 3/4	13/32
SEL3-11	3/8	3/8	1/8	1/8	112HUF-1	112HUF-1	1 3/8	3 3/8	3/32
SEL3-22	3/8	3/8	1/4	1/4	112HUF-2	112HUF-2	2 3/8	4 3/8	3/8
SEL3-33	3/8	3/8	3/8	3/8	112HUF-3	112HUF-3	2 3/8	4 3/8	13/32

*Hand Engagement Plus One Full Thread

RE-USABLE HOSE ASSEMBLIES

Assemblies Shown and Listed, Made Up and Shipped Within 24 Hours



INDUSTRIAL
LOW PRESSURE
HOSE ASSEMBLIES
1 & 2 RAYON BRAID
RUBBER COVER HOSE

UNION MALE END TO UNION FEMALE END ASSEMBLIES



SHOWN ABOVE - FL and SFL ASSEMBLIES THROUGH 3/8" I.D. HOSE SIZE (BRASS FITTINGS)



SHOWN ABOVE - FL ASSEMBLIES 1/2" I.D. HOSE SIZE and LARGER (STEEL FITTINGS)

TYPE 2BSR • TWO RAYON BRAID HOSE ASSEMBLIES

ASS'Y. NO.	HOSE I.D.	HOSE O.D.	UNION MALE NPT	UNION FEMALE NPT	UNION MALE HOSE FITTING	UNION FEMALE HOSE FITTING	UNION MALE FT'G ALLOW. C	UNION FEMALE FT'G ALLOW. D	TOTAL FT'G ALLOW. C + D	H*
FL2-11	1/4	3/16	1/8	1/8	98HUM-1	98HUF-1	1 3/4	1 5/8	3 3/8	9/32
FL2-22	1/4	3/16	1/4	1/4	98HUM-2	98HUF-2	1 29/32	1 7/8	3 25/32	3/8
FL2-33	1/4	3/16	3/8	3/8	98HUM-3	98HUF-3	1 15/16	1 7/8	3 13/16	13/32
FL3-11	3/8	3/4	1/8	1/8	115HUM-1	115HUF-1	2 1/32	1 15/16	3 31/32	9/32
FL3-22	3/8	3/4	1/4	1/4	115HUM-2	115HUF-2	2 3/16	2 3/16	4 3/8	3/8
FL3-33	3/8	3/4	3/8	3/8	115HUM-3	115HUF-3	2 1/4	2 3/16	4 7/16	13/32
FL4-22†	1/2	15/16	1/4	1/4	206HUM-2	206HUF-2	2 19/32	2 11/16	5 9/32	3/8
FL4-33†	1/2	15/16	3/8	3/8	206HUM-3	206HUF-3	2 19/32	2 11/16	5 9/32	13/32
FL4-44†	1/2	15/16	1/2	1/2	206HUM-4	206HUF-4	2 27/32	2 29/32	5 3/4	17/32
FL6-44†	3/4	1 1/4	1/2	1/2	217HUM-4	217HUF-4	3 1/4	3 1/4	6 1/2	17/32
FL6-66†	3/4	1 1/4	3/4	3/4	217HUM-6	217HUF-6	3 9/32	3 9/16	6 19/32	9/16
FL8-66†	1"	1 1/2	3/4	3/4	226HUM-6	226HUF-6	3 9/16	3 3/8	6 15/16	9/16
FL8-88†	1"	1 1/2	1"	1"	226HUM-8	226HUF-8	3 3/4	3 25/32	7 11/32	21/32
FL12-1212†	1 1/2	2 1/32	1 1/2	1 1/2	245HUM-12	245HUF-12	4 11/32	4 5/16	8 21/32	11/16

†Steel Fittings

*Hand Engagement Plus One Full Thread

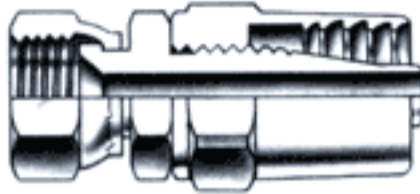
TYPE 1BSR • ONE RAYON BRAID HOSE ASSEMBLIES

ASS'Y. NO.	HOSE I.D.	HOSE O.D.	UNION MALE NPT	UNION FEMALE NPT	UNION MALE HOSE FITTING	UNION FEMALE HOSE FITTING	UNION MALE FT'G ALLOW. C	UNION FEMALE FT'G ALLOW. D	TOTAL FT'G ALLOW. C + D	H*
SFL15-11	3/8	3/8	1/8	1/8	95HUM-1	95HUF-1	1 3/4	1 5/8	3 3/8	5/32
SFL15-22	3/8	3/8	1/4	1/4	95HUM-2	95HUF-2	1 29/32	1 7/8	3 25/32	3/8
SFL15-33	3/8	3/8	3/8	3/8	95HUM-3	95HUF-3	1 15/16	1 7/8	3 13/16	13/32
SFL2-11	1/4	1/2	1/8	1/8	99HUM-1	99HUF-1	1 3/4	1 5/8	3 3/8	5/32
SFL2-22	1/4	1/2	1/4	1/4	99HUM-2	99HUF-2	1 29/32	1 7/8	3 25/32	3/8
SFL2-33	1/4	1/2	3/8	3/8	99HUM-3	99HUF-3	1 15/16	1 7/8	3 13/16	13/32
SFL25-11	3/8	3/8	1/8	1/8	106HUM-1	106HUF-1	1 3/4	1 5/8	3 3/8	5/32
SFL25-22	3/8	3/8	1/4	1/4	106HUM-2	106HUF-2	1 29/32	1 7/8	3 25/32	3/8
SFL25-33	3/8	3/8	3/8	3/8	106HUM-3	106HUF-3	1 15/16	1 7/8	3 13/16	13/32
SFL3-11	3/8	3/8	1/8	1/8	112HUM-1	112HUF-1	2 1/32	1 15/16	3 31/32	5/32
SFL3-22	3/8	3/8	1/4	1/4	112HUM-2	112HUF-2	2 3/8	2 3/8	4 3/8	3/8
SFL3-33	3/8	3/8	3/8	3/8	112HUM-3	112HUF-3	2 1/4	2 3/8	4 3/8	13/32

*Hand Engagement Plus One Full Thread

LENZ J.I.C. 37° S.A.E. 45° SWIVEL HOSE FITTINGS

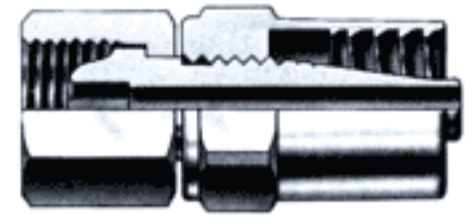
Materials Are All Brass
Except For Steel Swivel Nut.
Brass Nut Optional.
S.A.E. Swivel Nuts Are
Notched For Identification



HOSE I.D.	HOSE O.D.	CAT. NO. WITH 3/16"-20 TH'D. JIC & SAE	CAT. NO. WITH 1/2"-20 TH'D. JIC & SAE	CAT. NO. WITH 3/8"-18 TH'D. JIC ONLY	CAT. NO. WITH 1/2"-18 TH'D. SAE ONLY	CAT. NO. WITH 3/4"-16 TH'D. JIC & SAE
3/16	3/16	90J-4	—	—	—	—
3/16	1/2	93J-4	—	—	—	—
3/16	1 1/32	95J-4	—	—	—	—
3/16	3/8	96J-4	—	—	—	—
1/4	1 1/32	97J-4	—	97J-6	97S-6	—
1/4	1 1/8	98J-4	—	98J-6	98S-6	—
1/4	1/2	99J-4	—	99J-6	99S-6	—
1/4	1 1/8	100J-4	—	100J-6	100S-6	—
1/4	3/8	101J-4	—	101J-6	101S-6	—
1/4	3/4	102J-4	—	102J-6	102S-6	—
1/4	2 1/32	103J-4	—	103J-6	103S-6	—
1/4	1 1/8	104J-4	—	104J-6	104S-6	—
1/4	3/4	105J-4	—	105J-6	105S-6	—
3/8	3/8	—	106J-5	—	—	—
3/8	3/8	—	107J-5	—	—	—
3/8	2 1/32	—	108J-5	—	—	—
3/8	1 1/8	—	109J-5	—	—	—
3/8	3/4	—	110J-5	—	—	—
3/8	3/8	—	—	112J-6	112S-6	—
3/8	2 1/32	—	—	113J-6	113S-6	—
3/8	1 1/8	—	—	114J-6	114S-6	—
3/8	3/4	—	—	115J-6	115S-6	—
1/2	3/4	—	—	—	—	135HU
1/2	3/8	—	—	—	—	136HU

RE-USABLE PAINT-SPRAY AIR HOSE FITTINGS (Brass)

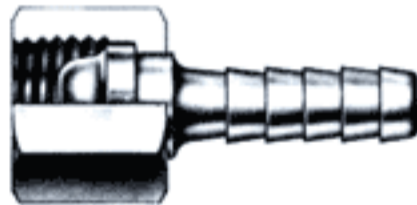
FIT ALL STANDARD PAINT-SPRAY CONNECTIONS



Reusable type that can be used over and over again. Accurately machined from brass bar stock. Easily and quickly attached to all standard hose connections without special tools. Stems without hex have Allen hex inside.

HOSE I.D.	HOSE O.D.	CAT. NO. with NO. 1 NUT (3/16" - 20NS)	CAT. NO. with NO. 2 NUT (1/2" - 18NF)	CAT. NO. with NO. 4 NUT (3/8" - 18NF)	CAT. NO. with NO. 5 NUT (1/2" - 18NPS)	CAT. NO. with NO. 8 NUT (3/4" - 18NPS)
3/16	3/16	90-P-1	90-P-2	90-P-4	—	90-P-8
3/16	1/2	93-P-1	93-P-2	93-P-4	—	93-P-8
3/16	1 1/32	95-P-1	95-P-2	95-P-4	—	95-P-8
3/16	3/8	96-P-1	96-P-2	96-P-4	—	96-P-8
1/4	1 1/32	97-P-1	97-P-2	97-P-4	97-P-5	97-P-8
1/4	1 1/8	98-P-1	98-P-2	98-P-4	98-P-5	98-P-8
1/4	1/2	99-P-1	99-P-2	99-P-4	99-P-5	99-P-8
1/4	1 1/32	100-P-1	100-P-2	100-P-4	100-P-5	100-P-8
1/4	3/8	101-P-1	101-P-2	101-P-4	101-P-5	101-P-8
1/4	3/4	102-P-1	102-P-2	102-P-4	102-P-5	102-P-8
1/4	2 1/32	103-P-1	103-P-2	103-P-4	103-P-5	103-P-8
1/4	1 1/8	104-P-1	104-P-2	104-P-4	104-P-5	104-P-8
1/4	3/4	105-P-1	105-P-2	105-P-4	105-P-5	105-P-8
3/8	3/8	106-P-1	106-P-2	106-P-4	106-P-5	106-P-8
3/8	3/8	107-P-1	107-P-2	107-P-4	107-P-5	107-P-8
3/8	2 1/32	108-P-1	108-P-2	108-P-4	108-P-5	108-P-8
3/8	1 1/8	109-P-1	109-P-2	109-P-4	109-P-5	109-P-8
3/8	3/4	110-P-1	110-P-2	110-P-4	110-P-5	110-P-8
3/8	3/8	112-P-1	112-P-2	112-P-4	112-P-5	112-P-8
3/8	2 1/32	113-P-1	113-P-2	113-P-4	113-P-5	113-P-8
3/8	1 1/8	114-P-1	114-P-2	114-P-4	114-P-5	114-P-8
3/8	3/4	115-P-1	115-P-2	115-P-4	115-P-5	115-P-8
1/2	3/4	135-P-1	135-P-2	135-P-4	135-P-5	—
1/2	3/8	136-P-1	136-P-2	136-P-4	136-P-5	—

LENZ PAINT SPRAY AIR HOSE CONNECTORS



Lenz Paint-Spray Air Hose Connectors are stem type with swivel nut. They afford an inexpensive method of easily and quickly making connections on any standard paint spray hose. Accurately machined from brass bar stock.

Can Be Used With Brass Ferrules On Page 17

HOSE I.D.	CAT. NO. with NO. 1 NUT (3/16" - 20NS)	CAT. NO. with NO. 2 NUT (1/2" - 18NF)	CAT. NO. with NO. 4 NUT (3/8" - 18NF)	CAT. NO. with NO. 5 NUT (1/2" - 18NPS)	CAT. NO. with NO. 8 NUT (3/4" - 18NPS)	CAT. NO. with NO. 21 NUT (1/2" - 14NPS)	CAT. NO. with NO. 23 NUT (3/4" - 14NPS)
3/16	2WP-1	2WP-2	2WP-4	2WP-5	2WP-8	—	—
1/4	12WP-1	12WP-2	12WP-4	12WP-5	12WP-8	—	—
3/8	18WP-1	18WP-2	18WP-4	18WP-5	18WP-8	—	—
3/8	22WP-1	22WP-2	22WP-4	22WP-5	22WP-8	—	—
1/2	—	—	—	—	—	42WP-21	—
3/4	—	—	—	—	—	—	52WP-23

It is critical that the O.D. and I.D. of the hose and fitting correspond. EXAMPLE: 1/4" I.D. and 1/2" O.D. We use 99 Series fittings.

Attention:

None of the hose fittings manufactured and/or sold by THE LENZ COMPANY are to be used for life dependency applications such as in diving, for oxygen, air, or other breathing applications.

There are instances where the weight of long hose lines would be on the fitting with the possibility of the hose pulling out of the fitting. This could have disastrous results in a breathing application.

We specifically call your attention to the 90 through 136 Low Pressure Fittings shown in this Catalog LP 301, WDM, or revisions thereof. These fittings are intended for welding, low pressure hydraulics or pneumatics.

This non-use for life dependency applications such as in diving, for oxygen, air or other breathing applications applies to all of the hose fittings manufactured and/or sold by THE LENZ COMPANY and/or related companies. None of our fittings are designed for this type of use.

OXYGEN & ACETYLENE HOSE FITTINGS & CONNECTORS (Brass)

It is critical that the O.D. and I.D. of the hose and fitting correspond. EXAMPLE: 1/4" I.D. and 1/2" O.D. We use 99 Series fittings.

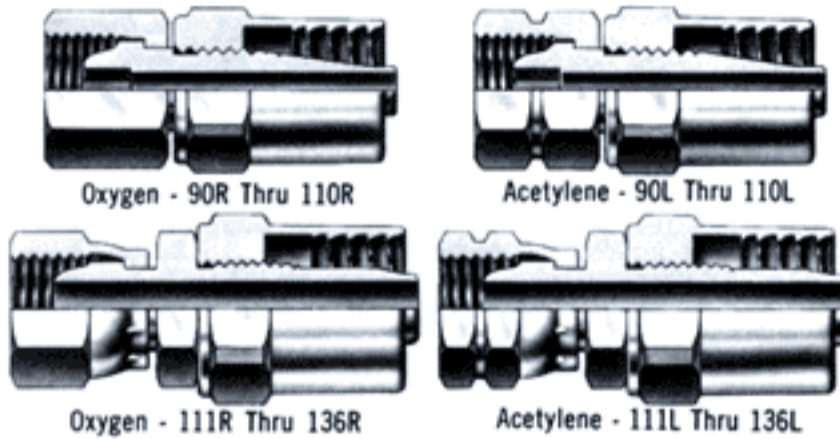


Swivel CONNECTORS

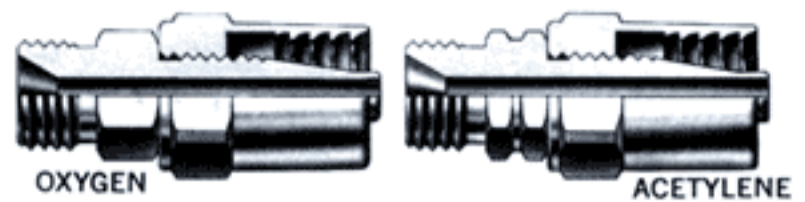
Can Be Used With Brass Ferrules On Page 17

STEM & NUT	HOSE I.D.	TH'D. SIZE	STEM ONLY	NUT ONLY
2WR	3/8	3/8-18R.H.	2A	160D
2WL	3/8	3/8-18L.H.	2A	160E
2WSR	3/8	3/8-24R.H.	2AX	155D
2WSL	3/8	3/8-24L.H.	2AX	155E
12WR	1/4	3/8-18R.H.	12A	160D
12WL	1/4	3/8-18L.H.	12A	160E
18WR	3/8	3/8-18R.H.	18A	160D
18WL	3/8	3/8-18L.H.	18A	160E
22WR	3/8	3/8-18R.H.	22A	160D
22WL	3/8	3/8-18L.H.	22A	160E

Swivel FITTINGS



OXYGEN FITTING R.H. THREAD	ACETYLENE FITTING L.H. THREAD	THREAD SIZE	HOSE I.D.	HOSE O.D.
90R	90L	3/8-18	3/8	3/8
93R	93L	3/8-18	3/8	1/2
95R	95L	3/8-18	3/8	13/32
96R	96L	3/8-18	3/8	3/8
97R	97L	3/8-18	1/4	13/32
98R	98L	3/8-18	1/4	13/32
99R	99L	3/8-18	1/4	1/2
100R	100L	3/8-18	1/4	13/32
101R	101L	3/8-18	1/4	3/8
102R	102L	3/8-18	1/4	3/8
103R	103L	3/8-18	1/4	13/32
104R	104L	3/8-18	1/4	13/16
105R	105L	3/8-18	1/4	3/4
106R	106L	3/8-18	3/8	3/8
107R	107L	3/8-18	3/8	3/8
108R	108L	3/8-18	3/8	13/32
109R	109L	3/8-18	3/8	13/16
110R	110L	3/8-18	3/8	3/4
112R	112L	3/8-18	3/8	3/8
113R	113L	3/8-18	3/8	13/32
114R	114L	3/8-18	3/8	13/16
115R	115L	3/8-18	3/8	3/4
135R	135L	3/8-18	1/2	3/4
136R	136L	3/8-18	1/2	3/8



Male FITTINGS

OXYGEN FITTING R.H. THREAD	ACETYLENE FITTING L.H. THREAD	THREAD SIZE	HOSE I.D.	HOSE O.D.
90WR	90WL	3/8-18	3/8	3/8
93WR	93WL	3/8-18	3/8	1/2
95WR	95WL	3/8-18	3/8	13/32
96WR	96WL	3/8-18	3/8	3/8
97WR	97WL	3/8-18	1/4	13/32
98WR	98WL	3/8-18	1/4	13/32
99WR	99WL	3/8-18	1/4	1/2
100WR	100WL	3/8-18	1/4	13/32
101WR	101WL	3/8-18	1/4	3/8
102WR	102WL	3/8-18	1/4	3/8
103WR	103WL	3/8-18	1/4	13/32
104WR	104WL	3/8-18	1/4	13/16
105WR	105WL	3/8-18	1/4	3/4

ADAPTERS



Straight Thread Both Ends
Also See Page 14 For Other
Oxygen & Acetylene Adapters

PART NO.	THREAD SIZE	HEX SIZE
4ADR	3/8-18 R.H. to 3/8-18 R.H.	3/8
4ADL	3/8-18 L.H. to 3/8-18 L.H.	3/8

Male HOSE STEMS



Can Be Used With Brass Ferrules On Page 17

OXYGEN STEM R.H. THREAD	ACETYLENE STEM L.H. THREAD	THREAD SIZE	HOSE I.D.
12MR	12ML	3/8-18	1/4

OXYGEN & ACETYLENE NUTS



OXYGEN R.H. THREAD	ACETYLENE L.H. THREAD	THREAD SIZE
160D	160E	3/8-18
155D	155E	3/8-24



Attention:

None of the hose fittings manufactured and/or sold by THE LENZ COMPANY are to be used for life dependency applications such as in diving, for oxygen, air, or other breathing applications.

There are instances where the weight of long hose lines would be on the fitting with the possibility of the hose pulling out of the fitting. This could have disastrous results in a breathing application.

We specifically call your attention to the 90 through 136 Low Pressure Fittings shown in this Catalog LP 301, WDM, or revisions thereof. These fittings are intended for welding, low pressure hydraulics or pneumatics.

This non-use for life dependency applications such as in diving, for oxygen, air or other breathing applications applies to all of the hose fittings manufactured and/or sold by THE LENZ COMPANY and/or related companies. None of our fittings are designed for this type of use.



UNION STEMS & HOSE JOINERS MALE & FEMALE HOSE STEMS

LENZ UNION HOSE STEMS

It is critical that the O.D. and I.D. of the hose and fitting correspond. EXAMPLE: 1/4" I.D. and 1/2" O.D. We use 99 Series fittings.

BRASS
STEMS



Can Be
Used With
Brass
Ferrules
On Pg. 17

STEEL
STEMS



LENZ MALE UNION HOSE STEMS

PART NO.	MATERIAL	HOSE I.D.	PIPE THREAD
2UM	Brass	3/8	1/8
3UM	Brass	3/8	1/4
4UM	Brass	3/8	3/8
10UM	Brass	1/4	1/8
12UM	Brass	1/4	1/4
13UM	Brass	1/4	3/8
14UM	Brass	1/4	1/2
17UM	Brass	3/8	1/8
18UM	Brass	3/8	1/4
19UM	Brass	3/8	3/8
20UM	Brass	3/8	1/2
21UM	Brass	3/8	1/8
22UM	Brass	3/8	1/4
23UM	Brass	3/8	3/8
24UM	Brass	3/8	1/2
41UM	Steel	1/2	1/4
42UM	Steel	1/2	3/8
43UM	Steel	1/2	1/2
44UM	Steel	1/2	3/4
52UM	Steel	3/4	1/2
53UM	Steel	3/4	3/4
54UM	Steel	3/4	1"
62UM	Steel	1"	3/4
63UM	Steel	1"	1"

BRASS
STEMS



Can Be
Used With
Brass
Ferrules
On Pg. 17

STEEL
STEMS



LENZ FEMALE UNION HOSE STEMS

PART NO.	MATERIAL	HOSE I.D.	PIPE THREAD
2UF	Brass	3/8	1/8
3UF	Brass	3/8	1/4
4UF	Brass	3/8	3/8
10UF	Brass	1/4	1/8
12UF	Brass	1/4	1/4
13UF	Brass	1/4	3/8
17UF	Brass	3/8	1/8
18UF	Brass	3/8	1/4
19UF	Brass	3/8	3/8
21UF	Brass	3/8	1/8
22UF	Brass	3/8	1/4
23UF	Brass	3/8	3/8
41UF	Steel	1/2	1/4
42UF	Steel	1/2	3/8
43UF	Steel	1/2	1/2
52UF	Steel	3/4	1/2
53UF	Steel	3/4	3/4
62UF	Steel	1"	3/4
63UF	Steel	1"	1"

STANDARD BRASS MALE HOSE STEMS

Can Be
Used With
Brass
Ferrules
On Pg. 17



PART NO.	HOSE I.D.	PIPE TH'D.	PART NO.	HOSE I.D.	PIPE TH'D.
1-1	1/8	1/8	22-2	3/8	1/4
2-1	3/8	1/8	22-3	3/8	3/8
2-2	3/8	1/4	22-4	3/8	1/2
12-1	1/4	1/8	42-2	1/2	1/4
12-2	1/4	1/4	42-3	1/2	3/8
12-3	1/4	3/8	42-4	1/2	1/2
18-1	3/8	1/8	42-6	1/2	3/4
18-2	3/8	1/4	47-4	3/8	1/2
22-1	3/8	3/8	52-6	3/4	3/4

STANDARD STEEL MALE HOSE STEMS



PART NO.	HOSE I.D.	PIPE TH'D.	PART NO.	HOSE I.D.	PIPE TH'D.
14-1	1/4	1/8	44-3	1/2	3/8
14-2	1/4	1/4	44-4	1/2	1/2
14-3	1/4	3/8	44-6	1/2	3/4
24-2	3/8	1/4	54-4	3/4	1/2
24-3	3/8	3/8	54-6	3/4	3/4
24-4	3/8	1/2	63-6	1"	3/4
44-2	1/2	1/4	63-8	1"	1"

HOSE JOINERS

Can Be
Used
With
Brass
Ferrules
On
Pg. 17



BRASS



STEEL

PART NO.	HOSE I.D.	MATERIAL
2DJ	3/8	Brass
12DJ	1/4	Brass
18DJ	3/8	Brass
22DJ	3/8	Brass
42DJ	1/2	Steel
54DJ	3/4	Steel
64DJ	1"	Steel

BRASS SOLID FEMALE HOSE STEMS



Can Be Used With Brass
Ferrules On Page 17

PART NO.	HOSE I.D.	PIPE TH'D.
2F-1	3/8	1/8
12F-1	1/4	1/8
12F-2	1/4	1/4

PART NO.	HOSE I.D.	PIPE TH'D.
18F-2	3/8	1/4
22F-2	3/8	1/4
22F-3	3/8	3/8

Attention:

None of the hose fittings manufactured and/or sold by THE LENZ COMPANY are to be used for life dependency applications such as in diving, for oxygen, air, or other breathing applications.

There are instances where the weight of long hose lines would be on the fitting with the possibility of the hose pulling out of the fitting. This could have disastrous results in a breathing application.

We specifically call your attention to the 90 through 136 Low Pressure Fittings shown in this Catalog LP 301, WDM, or revisions thereof. These fittings are intended for welding, low pressure hydraulics or pneumatics.

This non-use for life dependency applications such as in diving, for oxygen, air or other breathing applications applies to all of the hose fittings manufactured and/or sold by THE LENZ COMPANY and/or related companies. None of our fittings are designed for this type of use.

PIPE NIPPLES & FITTINGS

For Use With Lenz Fittings or Other Standard Applications

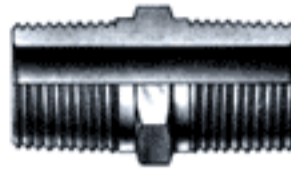


INDUSTRIAL
PIPE NIPPLES &
PIPE FITTINGS
FOR USE WITH LOW
PRESSURE HOSE FITTINGS

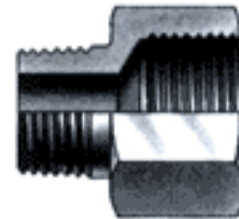
LENZ BRASS PIPE NIPPLES & BUSHINGS



HB-B — Hex Bushing
Tapered Male Pipe Thread One End
Tapered Female Pipe Thread Other End



PN-B — Pipe Nipple
Tapered Male Pipe Thread
Both Ends



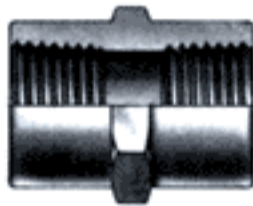
PRC-B — Pipe Reducing Connector
Tapered Male Pipe Thread One End
Tapered Female Pipe Thread Other End

PART NO.	MALE PIPE THREAD	FEMALE PIPE THREAD
4-2HB-B	1/4	1/8
6-2HB-B	3/8	1/8
6-4HB-B	3/8	1/4
8-4HB-B	1/2	1/4
8-6HB-B	1/2	3/8
12-8HB-B	3/4	1/2

PART NO.	THREAD SIZE
2PN-B	1/8 MPT to 1/8 MPT
4PN-B	1/4 MPT to 1/4 MPT
6PN-B	3/8 MPT to 3/8 MPT
8PN-B	1/2 MPT to 1/2 MPT
2-4RPN-B	1/4 MPT to 1/4 MPT
2-6RPN-B	1/4 MPT to 3/8 MPT
4-6RPN-B	1/4 MPT to 3/8 MPT
6-8RPN-B	3/8 MPT to 1/2 MPT

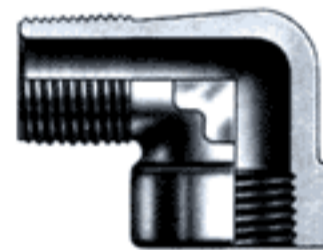
PART NO.	MALE PIPE THREAD	FEMALE PIPE THREAD
2PRC-B	1/8	1/8
4PRC-B	1/4	1/4
6PRC-B	3/8	3/8
2-4PRC-B	1/8	1/4
4-6PRC-B	1/4	3/8
6-8PRC-B	3/8	1/2

LENZ BRASS PIPE FITTINGS & CONNECTORS



**LENZ PC-B
PIPE COUPLING**
Tapered Female Pipe
Thread Both Ends

PART NO.	PIPE TH'D.	HEX SIZE
2PC-B	1/8	3/8
4PC-B	1/4	1 1/8
6PC-B	3/8	7/8
8PC-B	1/2	1 1/8



**LENZ SE-B
STREET ELBOW**
Tapered Male Pipe Thread
One End—Tapered Female
Pipe Thread Other End

PART NO.	MALE PIPE TH'D.	FEMALE PIPE TH'D.
2SE-B	1/8	1/8
4SE-B	1/4	1/4
6SE-B	3/8	3/8
8SE-B	1/2	1/2



**LENZ HP-B
HEX PLUG**
Tapered Male
Pipe Thread

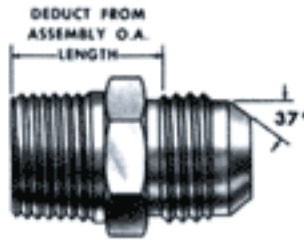
PART NO.	PIPE TH'D.	HEX SIZE
2HP-B	1/8	3/8
4HP-B	1/4	3/8
6HP-B	3/8	1 1/8
8HP-B	1/2	7/8
12HP-B	3/4	1 1/8



**LENZ PU-B
PIPE UNION**
Tapered Female Pipe
Thread - Both Ends

PART NO.	FEMALE PIPE SIZE	HEX SIZE
2PU-B	1/8	1 1/8
4PU-B	1/4	1 3/8
6PU-B	3/8	1 1/4
8PU-B	1/2	1 1/2

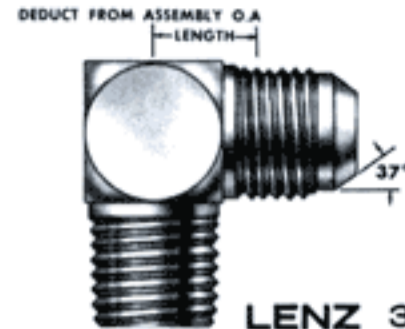
STEEL and BRASS ADAPTERS FOR LOW PRESSURE FITTINGS



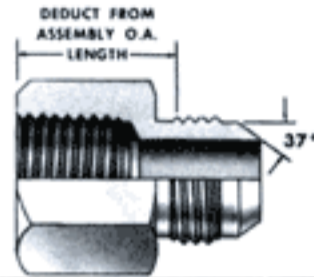
**LENZ 3105
MALE ADAPTERS**
Male Pipe To
J.I.C. Thread

PART NO.	MALE PIPE TH'D.	J.I.C. TH'D.	DEDUCT FROM ASS'Y O.A.L.	USE WITH THESE FITTINGS
3105-8-4	1/4	3/4-16	3/2	205HU THRU 209HU
3105-8	3/8	3/4-16	3/2	
3105-8-8	1/2	3/4-16	1 1/2	
3105-8-12	3/4	3/4-16	1 1/2	
3105-12-8	1/2	1 1/8-12	1 1/4	214HU THRU 217HU
3105-12	3/4	1 1/8-12	1 1/2	
3105-12-16	1"	1 1/8-12	1 1/2	
3105-16-12	3/4	1 1/8-12	1 1/2	224HU THRU 226HU
3105-16	1"	1 1/8-12	1 1/2	
3105-24-20	1 1/4	1 1/8-12	1 3/4	245HU
3105-24	1 1/2	1 1/8-12	1 3/2	

**37° FLARE STEEL
ADAPTERS FOR USE
WITH 1/2", 3/4"
1" & 1 1/2" STEEL
FITTINGS • SERIES
205 THROUGH 245**
Shown On Page 3 Of
This Catalog



**LENZ 3405
MALE ELBOW
ADAPTER**
Male Pipe To J.I.C. Thread



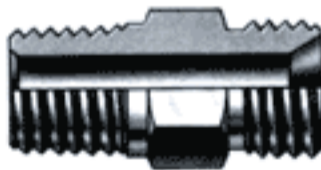
**LENZ
3255
FEMALE
ADAPTER**
Female Pipe
To J.I.C.
Thread

PART NO.	FEMALE PIPE TH'D.	J.I.C. TH'D.	DEDUCT FROM ASS'Y O.A.L.	USE WITH THESE FITTINGS
3255-8-4	1/4	3/4-16	1"	205HU THRU 209HU
3255-8	3/8	3/4-16	1"	
3255-8-8	1/2	3/4-16	1 1/2	
3255-12-8	1/2	1 1/8-12	1 1/4	214HU THRU 217HU
3255-12	3/4	1 1/8-12	1 1/4	
3255-16-12	3/4	1 1/8-12	1 1/2	224HU THRU 226HU
3255-16	1"	1 1/8-12	1 1/2	
3255-24	1 1/2	1 1/8-12	1 3/2	245HU

PART NO.	MALE PIPE TH'D.	J.I.C. TH'D.	DEDUCT FROM ASS'Y O.A.L.	USE WITH THESE FITTINGS
3405-8-4	1/4	3/4-16	3/2	205HU THRU 209HU
3405-8	3/8	3/4-16	3/2	
3405-8-8	1/2	3/4-16	3/2	
3405-8-12	3/4	3/4-16	3/2	
3405-12-8	1/2	1 1/8-12	1 1/4	214HU THRU 217HU
3405-12	3/4	1 1/8-12	1 1/2	
3405-16-12	3/4	1 1/8-12	1 1/2	224HU THRU 226HU
3405-16	1"	1 1/8-12	1 1/2	
3405-24	1 1/2	1 1/8-12	1 3/2	245HU

SEE LENZ HOSE FITTING CATALOG - HP-401 - FOR ADDITIONAL 37° FLARE FITTINGS

UNION FITTING BRASS HOSE ADAPTERS

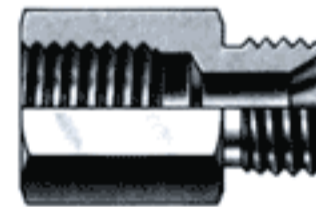


**1AD THROUGH 7AD
1ADL THROUGH 3ADL**

For Use With R, L, and HU Fittings
Shown In Tables Below

UNION MALE ADAPTERS—STRAIGHT THREAD, ONE END— TAPERED MALE PIPE THREAD, OTHER END			
PART NO.	THREAD SIZE	HEX SIZE	USE WITH THESE FITTINGS
1AD •	1/8-18R.H. to 1/8 MPT	3/16	90HU THRU 115HU & 90R THRU 136R
3AD •	1/8-18R.H. to 1/4 MPT	3/16	
3AD, HEAVY •	1/8-18R.H. to 1/4 MPT	1/8	
5AD •	1/8-18R.H. to 3/8 MPT	1/8	
7AD •	1/8-18R.H. to 1/2 MPT	3/8	
1ADL †	1/8-18L.H. to 1/8 MPT	3/16	
3ADL †	1/8-18L.H. to 1/4 MPT	3/16	
Male Adapters for 135HU and 136HU See Page 18 (5105 Series)			

• OXYGEN
ADAPTERS
† ACETYLENE
ADAPTERS



**1ADF THROUGH 5ADF
1ADFL**

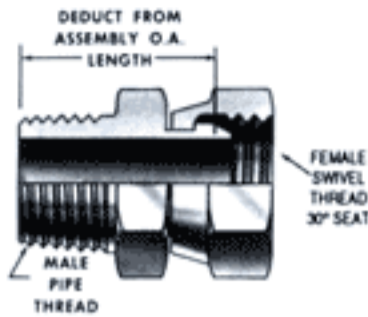
For Use With R, L, and HU Fittings
Shown In Tables Below

UNION FEMALE ADAPTERS—STRAIGHT THREAD, ONE END— TAPERED FEMALE PIPE THREAD, OTHER END			
PART NO.	THREAD SIZE	HEX SIZE	USE WITH THESE FITTINGS
1ADF •	1/8-18R.H. to 1/8 FPT	3/16	90HU THRU 115HU 90R THRU 136R &
3ADF •	1/8-18R.H. to 1/4 FPT	1/8	
5ADF •	1/8-18R.H. to 3/8 FPT	1/8	
1ADFL †	1/8-18L.H. to 1/8 FPT	3/16	90L THRU 136L
Female Adapters for 135HU and 136HU See Page 19 (5255 Series)			

LENZ STEEL UNION SWIVEL (UAD) HOSE ADAPTERS



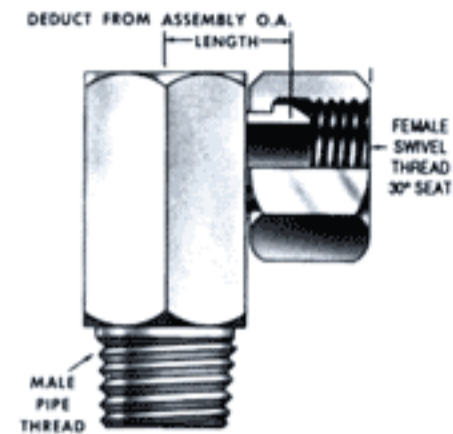
UAD
STEEL UNION SWIVEL
HOSE ADAPTERS
FOR USE WITH MALE
PIPE HOSE FITTING EN



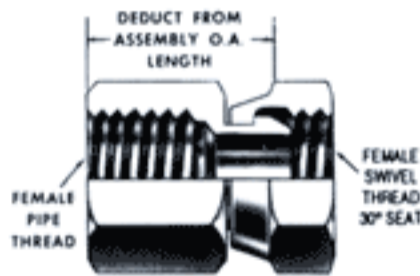
**LENZ
M-UAD
MALE UNION
SWIVEL ADAPTER**
Male Pipe To
Female NPSM
Swivel

PART NO.	MALE PIPE TH'D.	FEMALE SWIVEL TH'D.	DED'T. FROM ASS'Y. O.A.L.
2M-2UAD	1/8	1/8	27/32
2M-4UAD	1/8	1/4	1"
4M-4UAD	1/4	1/4	1 1/32
4M-6UAD	1/4	3/8	1 1/32
6M-4UAD	3/8	1/4	1 1/32
6M-6UAD	3/8	3/8	1 1/32
6M-8UAD	3/8	1/2	1 11/32
8M-6UAD	1/2	3/8	1 1/2
8M-8UAD	1/2	1/2	1 1/4
8M-12UAD	1/2	3/4	1 5/8
12M-8UAD	3/4	1/2	1 1/4
12M-12UAD	3/4	3/4	1 5/8
12M-16UAD	3/4	1"	1 23/32
16M-12UAD	1"	3/4	1 5/8
16M-16UAD	1"	1"	1 23/32
16M-20UAD	1"	1 1/4	2"
20M-20UAD	1 1/4	1 1/4	2 1/32
20M-24UAD	1 1/4	1 1/2	2 1/4
24M-24UAD	1 1/2	1 1/2	2 1/32
32M-32UAD	2"	2"	2 1/32

**LENZ
ME-UAD
MALE UNION
ELBOW SWIVEL
ADAPTER**
Male Pipe To
Female NPSM
Swivel



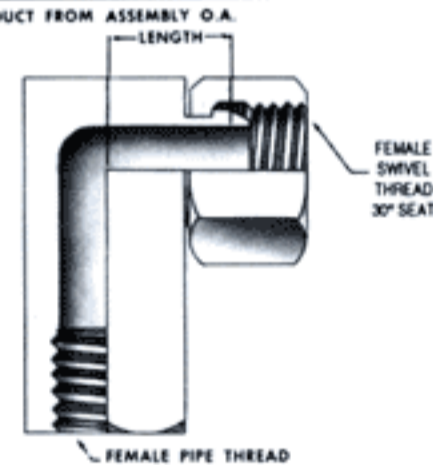
PART NO.	MALE PIPE TH'D	FEMALE SWIVEL TH'D	DED'T. FROM ASS'Y. O.A.L.
2ME-2UAD	1/8	1/8	17/32
2ME-4UAD	1/8	1/4	1 1/16
4ME-4UAD	1/4	1/4	3/4
4ME-6UAD	1/4	3/8	7/8
6ME-4UAD	3/8	1/4	7/8
6ME-6UAD	3/8	3/8	7/8
6ME-8UAD	3/8	1/2	1 1/16
8ME-4UAD	1/2	1/4	2 1/32
8ME-6UAD	1/2	3/8	1 1/16
8ME-8UAD	1/2	1/2	1 1/16
8ME-12UAD	1/2	3/4	1 1/16
12ME-6UAD	3/4	3/8	1 1/32
12ME-8UAD	3/4	1/2	1 1/16
12ME-12UAD	3/4	3/4	1 1/16
16ME-8UAD	1"	1/2	1 1/8
16ME-12UAD	1"	3/4	1 1/16
16ME-16UAD	1"	1"	1 1/16
16ME-20UAD	1"	1 1/4	1 1/2
20ME-20UAD	1 1/4	1 1/4	1 1/2
24ME-20UAD	1 1/2	1 1/4	1 5/8
24ME-24UAD	1 1/2	1 1/2	1 5/8
32ME-32UAD	2"	2"	2"



**LENZ
F-UAD
FEMALE UNION
SWIVEL ADAPTER**
Female Pipe To
Female NPSM
Swivel

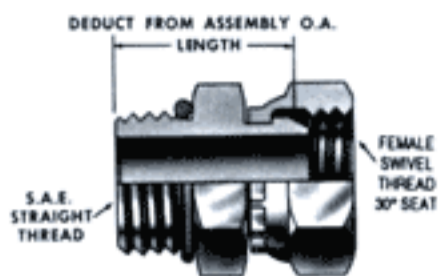
PART NO.	FEMALE PIPE TH'D.	FEMALE SWIVEL TH'D.	DEDUCT FROM ASS'Y. O.A. LENGTH
2F-2UAD	1/8	1/8	3/4
4F-4UAD	1/4	1/4	1 1/8
6F-4UAD	3/8	1/4	1 1/32
6F-6UAD	3/8	3/8	1 1/32
8F-4UAD	1/2	1/4	1 1/8
8F-6UAD	1/2	3/8	1 11/32
8F-8UAD	1/2	1/2	1 11/32
12F-12UAD	3/4	3/4	1 1/4
16F-12UAD	1"	3/4	1 23/32
16F-16UAD	1"	1"	1 11/16
20F-20UAD	1 1/4	1 1/4	1 11/16
24F-24UAD	1 1/2	1 1/2	1 11/16
32F-32UAD	2"	2"	2 3/8

**LENZ
FE-UAD
FEMALE UNION
ELBOW SWIVEL
ADAPTER**
Female Pipe To
Female NPSM
Swivel



PART NO.	FEMALE PIPE TH'D	FEMALE SWIVEL TH'D	DEDUCT FROM ASS'Y O.A. LENGTH
2FE-2UAD	1/8	1/8	17/32
4FE-4UAD	1/4	1/4	3/4
6FE-6UAD	3/8	3/8	7/8
8FE-8UAD	1/2	1/2	1 1/16
12FE-12UAD	3/4	3/4	1 1/16
16FE-16UAD	1"	1"	1 1/16
20FE-20UAD	1 1/4	1 1/4	1 1/2
24FE-24UAD	1 1/2	1 1/2	1 5/8

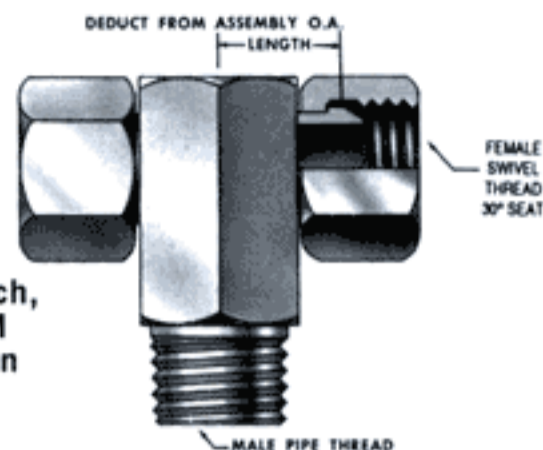
LENZ STEEL UNION SWIVEL (UAD) HOSE ADAPTERS



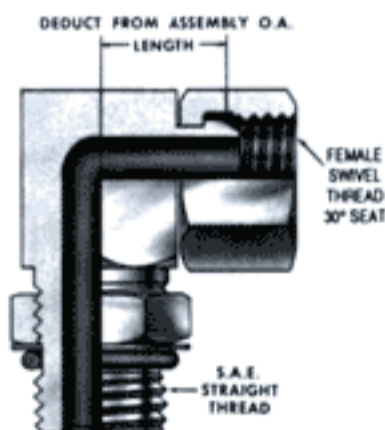
**LENZ
 SM-UAD
 S.A.E. STRAIGHT
 THREAD MALE
 UNION ADAPTER**
 Male S.A.E. Thread
 To Female
 NPSM Swivel

PART NO.	SAE STRAIGHT THREAD	FEMALE SWIVEL THREAD	DEDUCT FROM ASSY O.A. THREAD
4SM-4UAD	1/2-20	1/4	1"
5SM-4UAD	1/2-20	1/4	1"
6SM-4UAD	3/4-18	1/4	1 1/2"
6SM-6UAD	3/4-18	3/8	1 1/2"
8SM-4UAD	3/4-16	1/4	1 1/2"
8SM-6UAD	3/4-16	3/8	1 1/2"
8SM-8UAD	3/4-16	1/2	1 1/2"
8SM-12UAD	3/4-16	3/4	1 1/2"
10SM-6UAD	1-14	3/8	1 1/2"
10SM-8UAD	1-14	1/2	1 1/2"
10SM-12UAD	1-14	3/4	1 1/2"
12SM-8UAD	1 1/8-12	1/2	1 1/2"
12SM-12UAD	1 1/8-12	3/4	1 1/2"
14SM-12UAD	1 1/8-12	1	1 1/2"
16SM-16UAD	1 1/8-12	1"	1 1/2"
20SM-16UAD	1 1/8-12	1"	1 1/2"
20SM-20UAD	1 1/8-12	1 1/4	1 1/2"
24SM-24UAD	1 1/8-12	1 1/2	1 1/2"

**LENZ
 MT-UAD
 MALE UNION
 TEE SWIVEL
 ADAPTER**
 Male Pipe Branch,
 Female NPSM
 Swivels On Run



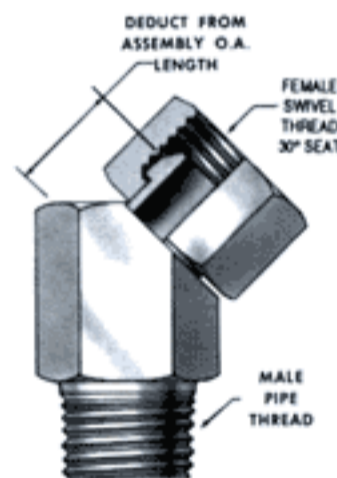
PART NO.	MALE PIPE THREAD	FEMALE SWIVEL THREAD	DEDUCT FROM ASSY O.A. THREAD
2MT-2UAD	1/8	1/8	1 1/32"
4MT-4UAD	1/4	1/4	3/4"
6MT-6UAD	3/8	3/8	1"
8MT-8UAD	1/2	1/2	1 1/16"
12MT-12UAD	3/4	3/4	1 1/16"
16MT-16UAD	1"	1"	1 1/16"
20MT-20UAD	1 1/4	1 1/4	1 1/2"



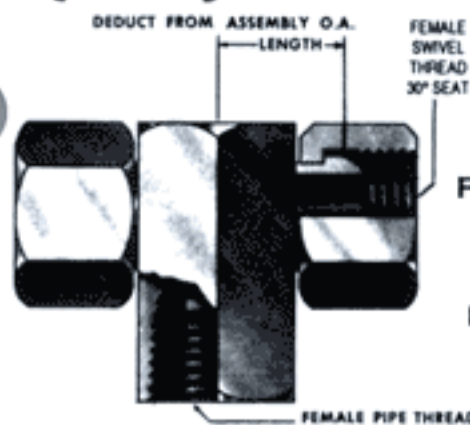
**LENZ
 SME-UAD
 S.A.E. STRAIGHT
 THREAD MALE
 UNION ELBOW
 SWIVEL ADAPTER**
 Male S.A.E. Thread
 To Female
 NPSM Swivel

PART NO.	SAE STRAIGHT THREAD	FEMALE SWIVEL THREAD	DEDUCT FROM ASSY O.A. THREAD
4SME-4UAD	1/2-20	1/4	3/4"
6SME-4UAD	3/4-18	1/4	3/4"
6SME-6UAD	3/4-18	3/8	7/8"
6SME-8UAD	3/4-18	1/2	1 1/16"
8SME-6UAD	3/4-16	3/8	7/8"
8SME-8UAD	3/4-16	1/2	1 1/16"
8SME-12UAD	3/4-16	3/4	1 1/16"
10SME-6UAD	1-14	3/8	2 1/32"
10SME-8UAD	1-14	1/2	1 1/16"
10SME-12UAD	1-14	3/4	1 1/16"
12SME-8UAD	1 1/8-12	1/2	1"
12SME-12UAD	1 1/8-12	3/4	1 1/16"
14SME-12UAD	1 1/8-12	1	1 1/16"
16SME-16UAD	1 1/8-12	1"	1 1/16"
16SME-12UAD	1 1/8-12	3/4	1 1/16"
20SME-20UAD	1 1/8-12	1 1/4	1 1/2"
20SME-12UAD	1 1/8-12	3/4	1 1/2"
24SME-24UAD	1 1/8-12	1 1/2	1 1/16"

**LENZ
 MEX-UAD
 MALE 45° UNION
 ELBOW SWIVEL
 ADAPTER**
 Male Pipe To
 Female NPSM
 Swivel

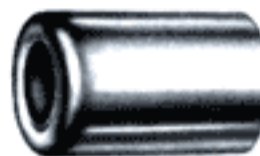


PART NO.	MALE PIPE THREAD	FEMALE SWIVEL THREAD	DEDUCT FROM ASSY O.A. THREAD
2MEX-2UAD	1/8	1/8	7/16"
4MEX-4UAD	1/4	1/4	2 1/32"
6MEX-6UAD	3/8	3/8	1 1/16"
8MEX-8UAD	1/2	1/2	2 1/32"
8MEX-6UAD	1/2	3/8	2 1/32"
12MEX-12UAD	3/4	3/4	2 1/32"
12MEX-8UAD	3/4	1/2	7/8"
16MEX-16UAD	1"	1"	1 1/16"
16MEX-12UAD	1"	3/4	1 1/32"
20MEX-20UAD	1 1/4	1 1/4	1 1/8"
24MEX-24UAD	1 1/2	1 1/2	1 1/32"

(UAD) HOSE ADAPTERS Cont'd.

**LENZ FT-UAD
FEMALE UNION TEE
SWIVEL ADAPTER**

Female Pipe Branch, Female NPSM Swivels On Run

PART NO.	FEMALE PIPE TH'D	FEMALE SWIVEL TH'D	DEDUCT FROM ASS'Y O.A. LENGTH
4FT-4UAD	1/4	1/4	3/4
6FT-6UAD	3/8	3/8	7/8
8FT-8UAD	1/2	1/2	1 1/16
12FT-12UAD	3/4	3/4	1 3/16
16FT-16UAD	1"	1"	1 5/16

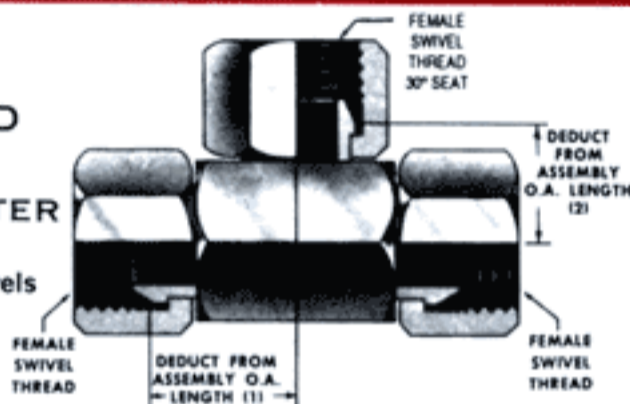
**LENZ
HOSE FERRULES
BRASS
CRIMP TYPE**


Lenz crimp-type brass ferrules are made especially for use with Lenz Brass Stems shown on pages 10, 11, and 12. These ferrules make up strong, neat appearing assemblies for the least cost.

PART NO.	HOSE O.D.	PART NO.	HOSE O.D.
12FC	3/8	23FC	2 1/2
13FC	1 1/2	24FC	3/4
14FC	3/8	25FC	2 1/2
15FC	1 1/2	26FC	1 1/8
16FC	1/2	27FC	2 1/2
17FC	1 1/2	28FC	3/8
18FC	3/8	29FC	2 1/2
19FC	1 1/2	30FC	1 1/8
20FC	3/8	31FC	2 1/2
21FC	2 1/2	32FC	1"
22FC	1 1/8	—	—

**LENZ T-UAD
UNION TEE
SWIVEL ADAPTER**

Female NPSM Swivels All Outlets



PART NO.	FEMALE SWIVEL TH'D.	(1) DEDUCT FROM ASS'Y. O.A. LENGTH	(2) DEDUCT FROM ASS'Y. O.A. LENGTH
2T-2UAD	1/8	3/8	1 1/2
4T-4UAD	1/4	7/8	3/4
6T-6UAD	3/8	1 1/8	7/8
8T-8UAD	1/2	1 3/8	1 3/8
12T-12UAD	3/4	1 3/8	1 3/8
16T-16UAD	1"	1 1/2	1 3/8

We would like to call to your attention:

 That **none** of the hose fittings manufactured and/or sold by **LENZ COMPANY** are to be used for life dependency applications such as in diving, for oxygen, air, or other breathing applications.

There are instances where the weight of long hose lines would be on the fitting with the possibility of the hose pulling out of the fitting. This could have disastrous results in a breathing application.

We specifically call your attention to the 90 through 136 Low Pressure Fittings shown in this Catalog LP 301, WDM, or revisions thereof. These fittings are intended for welding, low pressure hydraulics or pneumatics.

 This **non-use** for life dependency applications such as in diving, for oxygen, air or other breathing applications applies to all of the hose fittings manufactured and/or sold by **LENZ COMPANY** and/or related companies. None of our fittings are designed for this type of use.

 We, therefore, do not confirm this type of use, either written or verbal, and anyone giving this impression orally, written, or implied is doing so without our consent, and **LENZ COMPANY**, or any of its affiliates or related companies, assumes **no** liability in such cases.

**LENZ FEX-UAD
FEMALE 45° UNION
ELBOW SWIVEL
ADAPTER**

Female Pipe To Female NPSM Swivel

PART NO.	FEMALE PIPE TH'D.	FEMALE SWIVEL TH'D.	DEDUCT FROM ASS'Y. O.A. LENGTH
4FEX-4UAD	1/4	1/4	2 1/2
6FEX-6UAD	3/8	3/8	1 1/8
8FEX-8UAD	1/2	1/2	2 1/2
12FEX-12UAD	3/4	3/4	2 1/2
16FEX-16UAD	1"	1"	1 3/8

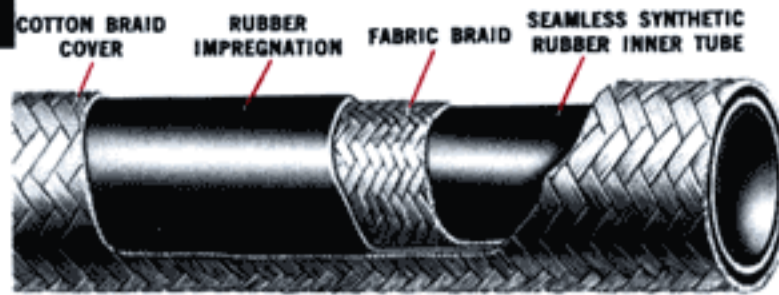
It is critical that the O.D. and I.D. of the hose and fitting correspond. EXAMPLE: 1/4" I.D. and 1/2" O.D. We use 99 Series fittings.

SINGLE FABRIC BRAID
TYPE Y & YR LOW
PRESSURE HOSE
COTTON OR
RUBBER COVER

LENZ
HOSE
FITTINGS

LENZ LOW PRESSURE "PUSH-ON"

TYPE Y Cotton Covered HOSE For "Push-On" Fittings



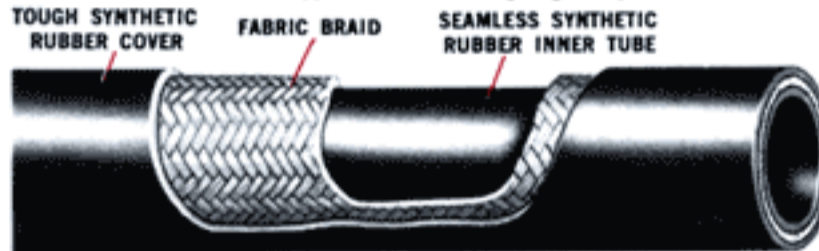
COTTON COVER PART NO.	O.D. TUBE SIZE	HOSE I.D.	HOSE O.D.	RECOM. WORK'G PRESS.	MIN. BURST. PRESS.	MIN. BEND RADII	APPROX. WT. PER 100 FT.
4Y	1/4	1/4	1/2	250	1000	3"	6
6Y	3/8	3/8	3/4	250	1000	3"	8.5
8Y	1/2	1/2	3/4	250	1000	5"	11.9
10Y	3/4	3/4	7/8	250	1000	6"	18.5
12Y	1	1	1 1/2	250	1000	7"	21.1

LENZ TYPE Y HOSE — Constructed as shown. Durable cover is oil and mildew resistant. The practical answer for low cost hose assemblies for conveying common liquids under 250 PSI. Working temperature ranges are -40° to +200° F. except air +160° F.

LENZ TYPE YR HOSE — Identical in construction to Type Y above except cover is of tough, abrasion resistant synthetic rubber in place of cotton cover. It is compounded to withstand temperatures from -40° to +200° F. except air where range is limited to +160° F.

Both types are ideally suited for carrying water, air, lubricating oils, fuels, anti-freeze solutions where pressures are under 250 PSI, and for vacuum applications to 28" Hg Negative pressure.

TYPE YR Rubber Covered HOSE For "Push-On" Fittings



RUBBER COVER PART NO.	O.D. TUBE SIZE	HOSE I.D.	HOSE O.D.	RECOM. WORK'G PRESS.	MIN. BURST. PRESS.	MIN. BEND RADII	APPROX. WT. PER 100 FT.
4YR	1/4	1/4	1/2	250	1000	3"	7.7
6YR	3/8	3/8	3/4	250	1000	3"	11.5
8YR	1/2	1/2	3/4	250	1000	5"	15.5
10YR	3/4	3/4	7/8	250	1000	6"	22
12YR	1	1	1 1/2	250	1000	7"	25.3

"PUSH-ON" FITTINGS FOR USE WITH TYPE Y and YR HOSE

Lenz Low Pressure "Push-On" Hose Stem Fittings are reusable type that can be quickly and easily attached or removed from the hose. The barbed stems "lock" the fittings into the hose without external clamps or ferrules. Stems are machined from brass, swivel nuts are of cadmium plated steel. Conform to J.I.C. and S.A.E. standards.

Easily Assembled



1. Cut hose cleanly and squarely. Dip end in water or use a few drops of oil for light lubrication. Plastic cap furnished may or may not be used . . . serves to cover rough end of hose for neater assembly. If plastic cap is used, slide on end of hose before inserting fitting.

2. Push hose over barbed stem of fitting, then push squarely against solid object until hose seats snugly against shoulder or hex.

Easily Disassembled



1. To remove fitting use sharp knife to slit hose diagonally, cutting slightly beyond the length of the fitting.

2. After slitting, hold fitting end firmly, in hand or vise, and with a sharp bend to the side the hose will pop off the stem . . . making fitting suitable for re-use.

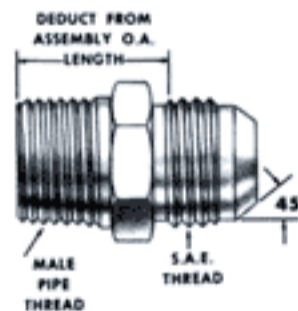
LENZ 45° S.A.E. BRASS FLARE HOSE ADAPTERS

HOW TO ORDER COLOR CODED ADAPTERS

The Lenz 45° Adapters shown here are for use with the 301 Series S.A.E. Swivel "Push-On" Hose Stem Fittings shown in the 301 table above on page 19. For ease and accuracy in ordering and matching, the adapter and fitting part numbers are **Color Coded** in the specification tables. To select the correct adapter for the swivel end, match the **Red Number** of the Adapter Part Number with the **Red Number** of the S.A.E. Swivel End Part Number.

EXAMPLE: Adapter 5105-1/4-6 may be used with S.A.E. Swivel Fitting End 301-6-6.

5105 and 5255 Adapters Series are accurately machined from Brass Bar Stock. Series 5405 Elbows are from Brass Forgings. All adapters conform to J.I.C. and S.A.E. Standards.



**LENZ
5105
MALE
ADAPTER**

Male Pipe
To
S.A.E. Thread

*Adapters For Use With
135HU and 136HU Swivel
Hose Fittings on Page 3

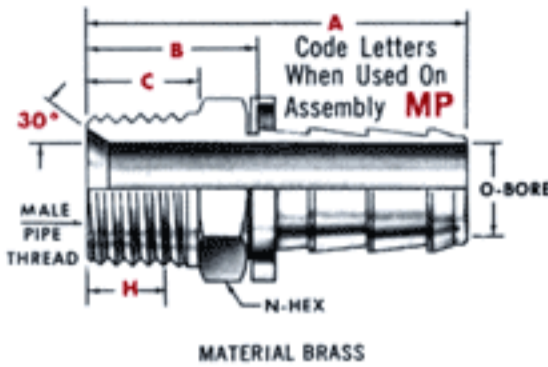
PART NO.	MALE PIPE TH'D.	TUBE O.D.	S.A.E. TH'D.	DEDUCT FROM ASS'Y. O.A. L.
5105-1/8-4	1/8	1/4	3/16-20	3/16
5105-1/4-4	1/4	1/4	3/16-20	3/4
5105-1/8-5	1/8	3/8	1/2-20	7/32
5105-1/4-5	1/4	3/8	1/2-20	7/32
5105-3/8-5	3/8	3/8	1/2-20	7/8
5105-1/8-6	1/8	3/8	3/8-18	7/32
5105-1/4-6	1/4	3/8	3/8-18	7/32
5105-3/8-6	3/8	3/8	3/8-18	13/16
5105-1/2-6	1/2	3/8	3/8-18	1 1/8
5105-1/4-8	1/4	1/2	3/4-16	1 1/2
5105-3/8-8	3/8	1/2	3/4-16	1 1/2
5105-1/2-8	1/2	1/2	3/4-16	1 3/8
5105-3/4-8	3/4	1/2	3/4-16	1 3/2
5105-3/8-10	3/8	3/8	7/8-14	1 3/2
5105-1/2-10	1/2	3/8	7/8-14	1 3/2
5105-3/4-10	3/4	3/8	7/8-14	1 3/2
5105-1/2-12	1/2	3/4	1 1/8-14	1 3/8
5105-3/4-12	3/4	3/4	1 1/8-14	1 1/2

HOSE FITTINGS and ADAPTERS



LOW PRESSURE
"PUSH-ON" FITTINGS
& ADAPTERS
FOR Y & YR SINGLE
FABRIC BRAID HOSE

312 MALE PIPE "PUSH-ON" HOSE FITTINGS

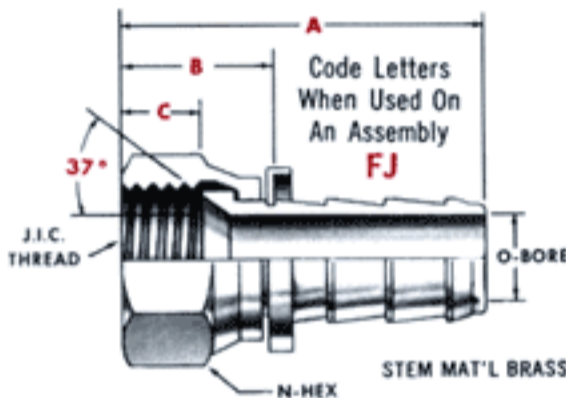


PART NO.	HOSE SIZE	HOSE I.D.	MALE PIPE TH'D	WT. PER 100 PCS.	A	B	C	H*	N HEX	O BORE
312-2-4	4	1/4	1/8	3.75	1 3/4	3/8	2 3/4	3/2	3/16	3/16
312-4-4	4	1/4	1/4	5.63	1 1/2	1 1/8	1 3/2	3/8	3/16	3/16
312-4-6	6	3/8	1/4	6.88	1 3/4	1 1/8	1 3/2	3/8	3/16	3/22
312-6-6	6	3/8	3/8	10	1 3/2	1 1/8	2 3/4	1 3/2	1 1/8	3/22
312-6-8	8	1/2	3/8	10	2"	1 1/8	2 3/4	1 3/2	1 1/8	1 3/22
312-8-8	8	1/2	1/2	15	2 3/8	1 1/8	2 3/2	1 3/2	3/8	1 3/22
312-8-10	10	5/8	1/2	16.25	2 1/2	1 3/8	2 3/2	1 3/2	3/8	1 3/22
312-12-12	12	3/4	3/4	21.88	2 3/4	1 3/8	3 1/4	3/8	1 1/8	1 1/8

*For Hose O.D., Working Pressure and Complete Hose Information See Page 18

MATERIAL BRASS

311 J.I.C. SWIVEL "PUSH-ON" HOSE FITTINGS

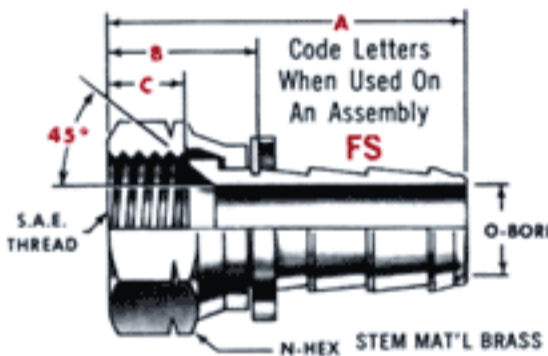


PART NO.	HOSE SIZE	HOSE I.D.	J.I.C. TH'D	WT. PER 100 PCS.	A	B	C	N HEX	O BORE
311-4-4	4	1/4	3/16-20	5	1 1/2	3/4	1 1/2	3/16	1 1/4
311-5-4	4	1/4	1/2-20	6.25	1 3/8	1 3/8	3/8	3/8	3/8
311-6-6	6	3/8	3/16-18	6.88	1 3/4	3/8	3/8	1 1/8	3/22
311-8-8	8	1/2	3/4-16	11.88	1 3/2	2 3/2	1 3/2	3/8	1 3/22
311-10-10	10	5/8	7/8-14	20	2 3/8	1"	1 3/2	1"	1/2
311-12-12	12	3/4	1 1/8-12	31.95	2 3/4	1 1/8	3/4	1 1/4	3/8

*For Hose O.D., Working Pressure and Complete Hose Information See Page 18

STEM MAT'L BRASS

301 S.A.E. SWIVEL "PUSH-ON" HOSE FITTINGS

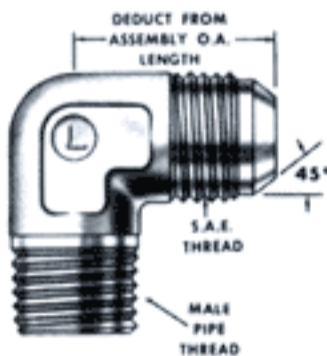


PART NO.	HOSE SIZE	HOSE I.D.	S.A.E. TH'D	WT. PER 100 PCS.	A	B	C	N HEX	O BORE
301-4-4	4	1/4	3/16-20	5	1 1/2	3/4	1 1/2	3/16	1 1/4
301-5-4	4	1/4	1/2-20	6.25	1 3/8	1 3/8	3/8	3/8	3/8
301-6-6	6	3/8	3/8-18	8.75	1 3/2	2 3/2	1 3/2	3/4	3/22
301-8-8	8	1/2	3/4-16	11.88	1 3/2	2 3/2	1 3/2	3/8	1 3/22
301-10-10	10	5/8	7/8-14	20	2 3/8	1"	1 3/2	1"	1/2
301-12-12	12	3/4	1 1/8-14	33.13	2 3/8	1 3/2	2 3/2	1 1/4	3/8

*For Hose O.D., Working Pressure and Complete Hose Information See Page 18

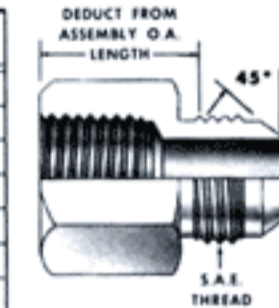
STEM MAT'L BRASS

... For Use With 301 Series Swivel Hose End Fittings Shown and Listed Above



LENZ 5405 MALE ELBOW ADAPTER
Male Pipe To S.A.E. Thread

PART NO.	MALE PIPE TH'D.	TUBE O.D.	S.A.E. TH'D.	DEDUCT FROM ASS'Y. O.A. L.
5405-1/8-4	1/8	1/4	3/16-20	3/16
5405-1/4-4	1/4	1/4	3/16-20	1 3/22
5405-1/8-5	1/8	3/8	1/2-20	1/2
5405-1/4-5	1/4	3/8	1/2-20	1/2
5405-3/8-5	3/8	3/8	1/2-20	3/8
5405-1/8-6	1/8	3/8	3/8-18	1 3/22
5405-1/4-6	1/4	3/8	3/8-18	1 3/22
5405-3/8-6	3/8	3/8	3/8-18	1 3/22
5405-1/2-6	1/2	3/8	3/8-18	1 1/8
5405-1/4-8	1/4	1/2	3/4-16	2 3/22
5405-3/8-8	3/8	1/2	3/4-16	2 3/22
5405-1/2-8	1/2	1/2	3/4-16	2 3/22
5405-3/4-8	3/4	1/2	3/4-16	1 3/8
5405-3/8-10	3/8	5/8	7/8-14	1 3/8
5405-1/2-10	1/2	5/8	7/8-14	1 3/8
5405-3/4-10	3/4	5/8	7/8-14	2 3/22
5405-1/2-12	1/2	3/4	1 1/8-14	1 3/8
5405-3/4-12	3/4	3/4	1 1/8-14	1 3/8



LENZ 5255 FEMALE ADAPTER
Female Pipe To S.A.E. Thread

PART NO.	FEMALE PIPE TH'D.	TUBE O.D.	S.A.E. TH'D.	DEDUCT FROM ASS'Y. O.A. L.
5255-1/8-4	1/8	1/4	3/16-20	5/8
5255-1/4-4	1/4	1/4	3/16-20	2 3/22
5255-1/8-5	1/8	3/8	1/2-20	2 3/22
5255-1/4-5	1/4	3/8	1/2-20	2 3/22
5255-1/8-6	1/8	3/8	3/8-18	2 3/22
5255-1/4-6	1/4	3/8	3/8-18	2 3/22
5255-3/8-6	3/8	3/8	3/8-18	2 3/22
5255-1/4-8	1/4	1/2	3/4-16	3 1/22
5255-3/8-8	3/8	1/2	3/4-16	1 3/2
5255-1/2-8	1/2	1/2	3/4-16	1 3/8
5255-3/8-10	3/8	5/8	7/8-14	1"
5255-1/2-10	1/2	5/8	7/8-14	1 3/8
5255-3/4-10	3/4	5/8	7/8-14	1 1/4
5255-1/2-12	1/2	3/4	1 1/8-14	1 1/4
5255-3/4-12	3/4	3/4	1 1/8-14	1 3/8
—	—	—	—	—
—	—	—	—	—
—	—	—	—	—

*Adapters For Use With 135HU and 136HU Swivel Hose Fittings on Page 3

• **LENZ SINGLE FABRIC BRAID** •

Low Cost Fittings and Assemblies for Industrial Low Pressure Applications.

"PUSH-ON" TYPE • MALE PIPE END TO MALE PIPE END



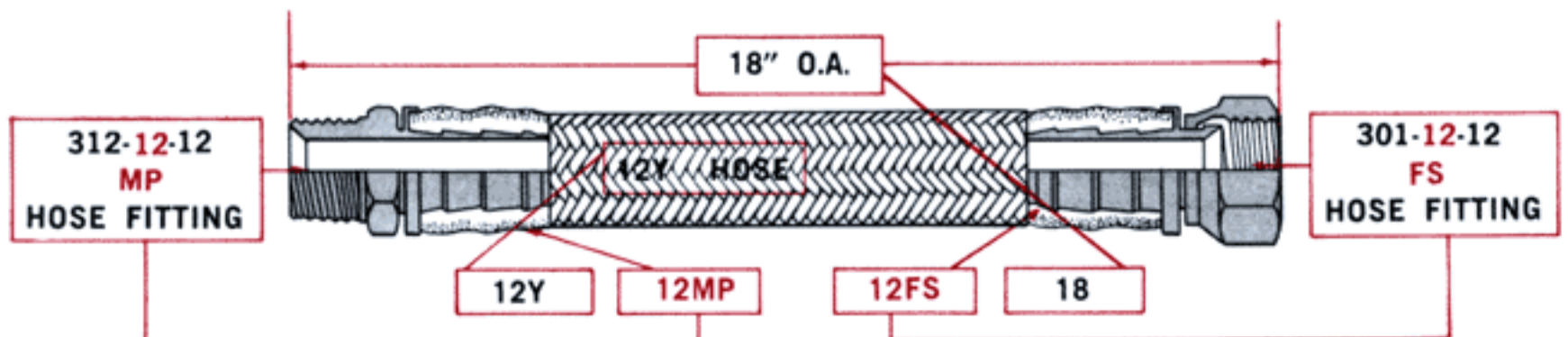
"PUSH-ON" TYPE • J.I.C. FEMALE SWIVEL TO J.I.C. FEMALE SWIVEL



"PUSH-ON" TYPE • MALE PIPE END TO J.I.C. FEMALE SWIVEL



HOW TO ORDER SPECIAL LENZ Y OR YR "PUSH-ON" HOSE



ASSEMBLY NUMBER IS: 12Y-12MP-12FS-18

LENZ • P.O. BOX 1044 • DAYTON, OHIO 45401-1044 • PHONE: 937/277-9364 • FAX: 937/277-6516

OFFICE & FACTORY • 3301 KLEPINGER ROAD • DAYTON, OHIO 45406-1842

INTERNET: <http://www.lenzinc.com>

"PUSH-ON" HOSE ASSEMBLIES

Single Fabric Braid • Y & YR HOSE TYPES • Double Male Assemblies

COTTON COVER HOSE ASS'Y. NO.	RUBBER COVER HOSE ASS'Y. NO.	O.D. TUBE SIZE	MALE PIPE TH'D.	HOSE SIZE	HOSE I.D.	MALE PIPE FITTING	MALE FITTING ALLOWANCE B	TOTAL FITTING ALLOWANCE 2B	E	H*
4Y-2MP-OA	4YR-2MP-OA	4	1/8	4	1/4	312-2-4	3/8	1 1/4	3/8	3/32
4Y-4MP-OA	4YR-4MP-OA	4	1/4	4	1/4	312-4-4	1 1/8	1 3/8	1 1/32	3/8
6Y-4MP-OA	6YR-4MP-OA	6	1/4	6	3/8	312-4-6	1 1/8	1 7/8	1 1/32	3/8
6Y-6MP-OA	6YR-6MP-OA	6	3/8	6	3/8	312-6-6	1 1/8	1 7/8	1 1/32	1 1/32
8Y-6MP-OA	8YR-6MP-OA	8	3/8	8	1/2	312-6-8	1 1/8	1 7/8	1 1/32	1 1/32
8Y-8MP-OA	8YR-8MP-OA	8	1/2	8	1/2	312-8-8	1 1/8	2 1/4	2 1/32	1 1/32
10Y-8MP-OA	10YR-8MP-OA	10	1/2	10	3/8	312-8-10	1 3/8	2 3/8	2 1/32	1 1/32
12Y-12MP-OA	12YR-12MP-OA	12	3/4	12	3/4	312-12-12	1 3/8	2 3/8	2 1/32	3/8

NOTE: If both ends do not have the same pipe thread add a second MP number — Example: 4Y-4MP-2MP-O.A.
For Hose O.D., Working Pressure and Complete Hose Information See Page 18

Single Fabric Braid • Y & YR HOSE TYPES • Double Swivel Assemblies

COTTON COVER ASS'Y. NO.	RUBBER COVER ASS'Y. NO.	O.D. TUBE SIZE	J.I.C. SWIVEL THREAD	HOSE SIZE	HOSE I.D.	J.I.C. SWIVEL FITTING	C	J.I.C. SWIVEL FITTING ALLOWANCE D	TOTAL FITTING ALLOWANCE 2D
4Y-4FJ-OA	4YR-4FJ-OA	4	3/8-20	4	1/4	311-4-4	1 1/32	3/4	1 1/2
4Y-5FJ-OA	4YR-5FJ-OA	4	1/2-20	4	1/4	311-5-4	3/8	1 1/8	1 3/8
6Y-6FJ-OA	6YR-6FJ-OA	6	3/8-18	6	3/8	311-6-6	3/8	7/8	1 1/4
8Y-8FJ-OA	8YR-8FJ-OA	8	1/2-16	8	1/2	311-8-8	1 1/32	2 1/32	1 1/8
10Y-10FJ-OA	10YR-10FJ-OA	10	3/8-14	10	3/8	311-10-10	1 1/32	1"	2"
12Y-12FJ-OA	12YR-12FJ-OA	12	1 1/8-12	12	3/4	311-12-12	3/8	1 1/8	2 1/4

NOTE: If both ends do not have the same swivel thread add a second FJ number — Example: 4Y-4FJ-5FJ-O.A.
For Hose O.D., Working Pressure and Complete Hose Information See Page 18

Single Fabric Braid • Y & YR HOSE TYPES • Male To Swivel Assemblies

COTTON COVER HOSE ASS'Y. NO.	RUBBER COVER HOSE ASS'Y. NO.	O.D. TUBE SIZE	MALE PIPE TH'D.	J.I.C. SWIVEL THREAD	HOSE SIZE	HOSE I.D.	MALE PIPE FITTING	J.I.C. SWIVEL FITTING	MALE F'T'G. ALLOW. B	C	J.I.C. SWIVEL FITTING ALLOW. D	TOTAL F'T'G. ALLOW. B & D	E	H*
4Y-2MP-4FJ-OA	4YR-2MP-4FJ-OA	4	1/8	3/8-20	4	1/4	312-2-4	311-4-4	3/8	1 1/32	3/4	1 3/8	3/8	3/32
4Y-4MP-4FJ-OA	4YR-4MP-4FJ-OA	4	1/4	3/8-20	4	1/4	312-4-4	311-4-4	1 1/8	1 1/32	3/4	1 1 1/8	1 1/32	3/8
4Y-4MP-5FJ-OA	4YR-4MP-5FJ-OA	4	1/4	1/2-20	4	1/4	312-4-4	311-5-4	1 1/8	3/8	1 1/8	1 3/4	1 1/32	3/8
6Y-4MP-6FJ-OA	6YR-4MP-6FJ-OA	6	1/4	3/8-18	6	3/8	312-4-6	311-6-6	1 1/8	3/8	7/8	1 3/8	1 1/32	3/8
6Y-5MP-6FJ-OA	6YR-5MP-6FJ-OA	6	3/8	3/8-18	6	3/8	312-6-6	311-6-6	1 1/8	3/8	7/8	1 3/8	1 1/32	1 1/32
8Y-6MP-8FJ-OA	8YR-6MP-8FJ-OA	8	3/8	1/2-16	8	1/2	312-6-8	311-8-8	1 1/8	1 1/32	2 1/32	1 7/32	1 1/32	1 1/32
8Y-8MP-8FJ-OA	8YR-8MP-8FJ-OA	8	1/2	3/4-16	8	1/2	312-8-8	311-8-8	1 1/8	1 1/32	2 1/32	2 1/32	2 1/32	1 1/32
10Y-8MP-10FJ-OA	10YR-8MP-10FJ-OA	10	1/2	3/8-14	10	3/8	312-8-10	311-10-10	1 3/8	1 1/32	1"	2 3/8	2 1/32	1 1/32
12Y-12MP-12FJ-OA	12YR-12MP-12FJ-OA	12	3/4	1 1/8-12	12	3/4	312-12-12	311-12-12	1 3/8	3/8	1 1/8	2 3/8	2 1/32	3/8

For Hose O.D., Working Pressure and Complete Hose Information See Page 18

ASSEMBLIES NOT LISTED IN THE TABLES SHOWN ABOVE

In addition to the standard Y and YR assemblies shown in the tables above, special assemblies having any combination of the Single Fabric Braid "PUSH-ON" Hose Fittings, shown on page 19, are available made-up at the factory to your specifications.

To determine part numbers when ordering special assemblies follow the formula diagrammed, explained and shown at the left. Give the size and type of hose wanted (hose part number), the size and code letters of one fitting (shown in red) and the size and code letters of the

other fitting (shown in red), and the overall assembly length (O.A.) in inches. Fitting Ends are identified in Red: MP - Male Pipe; FJ-37° J.I.C. Swivel; FS-45° S.A.E. Swivel.

EXAMPLE: 12Y-12MP-12FS-18 shows the correct assembly number for the assembly shown in the diagram. It shows that this assembly is for 3/4" I.D. Single Fabric Braid Rubber Covered Hose (12Y) having a 312-12-12 Male Pipe Hose Stem (12MP) on one end and a 301-12-12 S.A.E. Swivel Hose Stem (12FS) on the other end with an overall assembly (O.A.) length of 18".



LOW PRESSURE INDUSTRIAL • REUSABLE HOSE FITTINGS



REUSABLE LOW-PRESSURE HOSE FITTINGS



OXYGEN & ACETYLENE FITTINGS



PAINT SPRAY
FITTINGS



"PUSH-ON"
FITTINGS



HOSE FITTING
ADAPTERS



UNION SWIVEL
ADAPTERS



LOW PRESSURE "PUSH-ON"
HOSE ASSEMBLIES



PIPE FITTINGS
CONNECTORS
NIPPLES
& BUSHINGS



JOINERS



HOSE
STEMS



LOW PRESSURE
HOSE ASSEMBLIES



INDIVIDUAL
FITTINGS &
ADAPTERS
ALL TYPES

■

ASSEMBLIES

■

1 & 2 RAYON
BRAID RUBBER
COVERED HOSE

■

SINGLE FABRIC
BRAID RUBBER
OR COTTON
COVERED HOSE

■

ACCESSORIES

ROUTING SLIP
Date _____
Review and Pass along as indicated

1. Management _____
2. Engineering _____
3. _____
4. Maintenance _____
5. Testing _____
6. Purchasing _____

Finally Return to: _____

CATALOG OF SIZES & SPECIFICATIONS

YOUR STOCKING
DISTRIBUTOR

LENZ
COMPANY

P.O. Box 1044
DAYTON • OHIO
PHONE:
937/277-9364 FAX:
937/277-6516